

Milwaukee®

Nothing but **HEAVY DUTY**®



K500 S **K545 S**

Original instructions
Originalbetriebsanleitung
Notice originale
Istruzioni originali
Manual original
Oorspronkelijke gebruiksaanwijzing
Original brugsanvisning
Original bruksanvisning
Bruksanvisning i original
Alkuperäiset ohjeet

Πρωτότυπο οδηγιών χρήσης
Orijinal işletme talimatı
Původním návodem k používání
Pôvodný návod na použitie
Instrukcja oryginalna
Eredeti használati utasítás
Izvirna navodila
Originalne pogonske upute
Instrukcijām oriģinālvalodā
Originali instrukcija

Algurärsne kasutusjuhend
Оригинальное руководство по эксплуатации
Оригинално ръководство за експлоатация
Instrucțiuni de folosire originale
Оригинален прирачник за работа
Оригінал інструкції з експлуатації
التعليمات الأصلية

K500 S

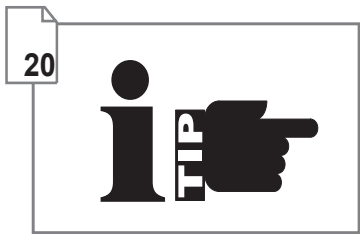
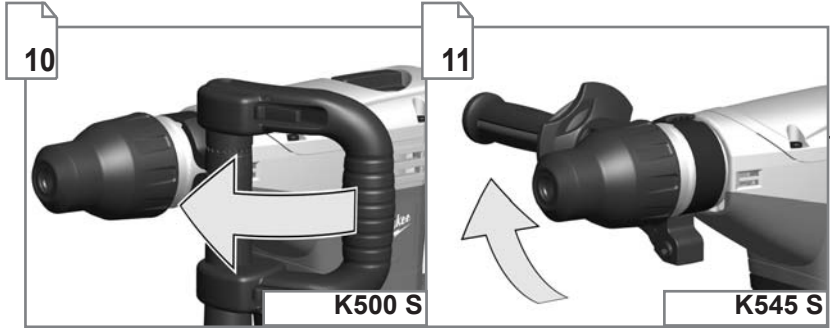
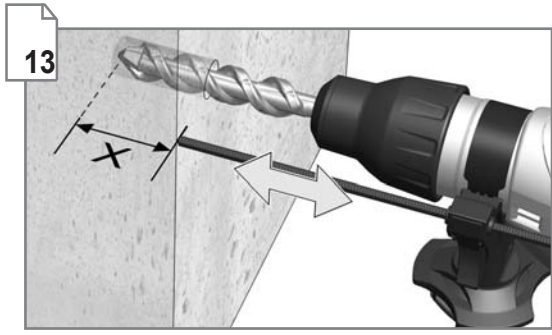
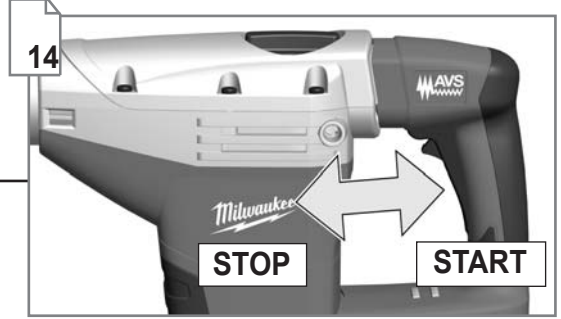
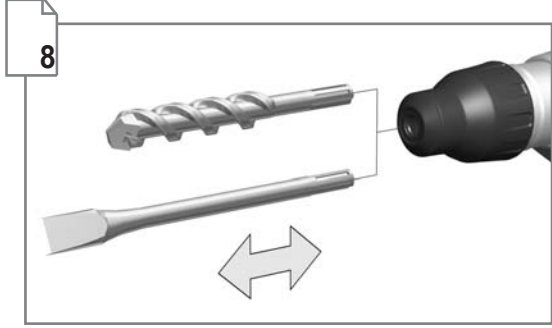
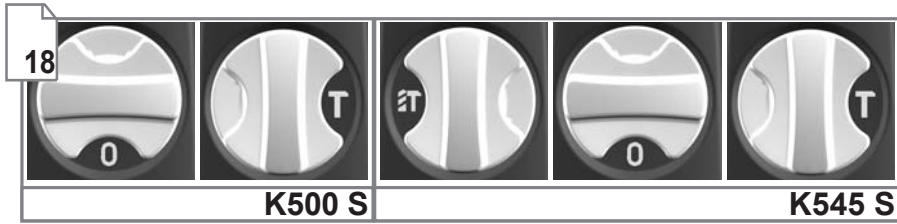
Meißelhammer	Sekacie kladivo
Chipping Hammer	Młot kułacyjny
Burineur	Vésókalapács
Martelli demolitori	Sekalna kladiva
Martillo Cincelador	Klesací čekič
Martelo Perfurador	Ciršanas āmurs
Hakhamer	Капојимо плактукас
Mejselhammer	Teravhaamer
Meiselhammer	Отбойный молоток
Mejselhammare	Къртач
Piikkausvasara	Ciocan de spart
ΚΡΟΥΣΤΙΚΟ ΠΙΣΤΟΛΕΤΟ	Апарат за длетување
Keski çekici	Відбійний молоток
Sekací kladiva	عيطوت قورطم

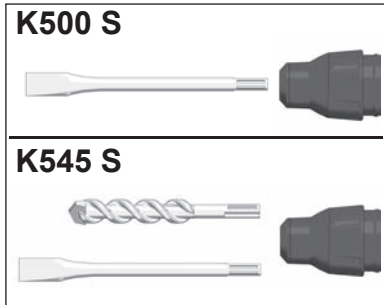
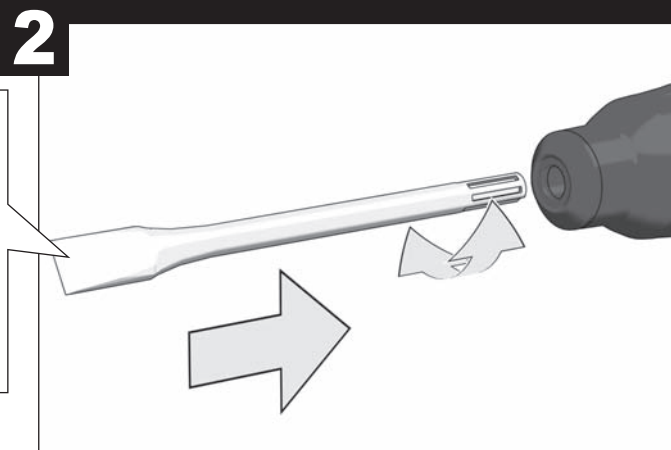
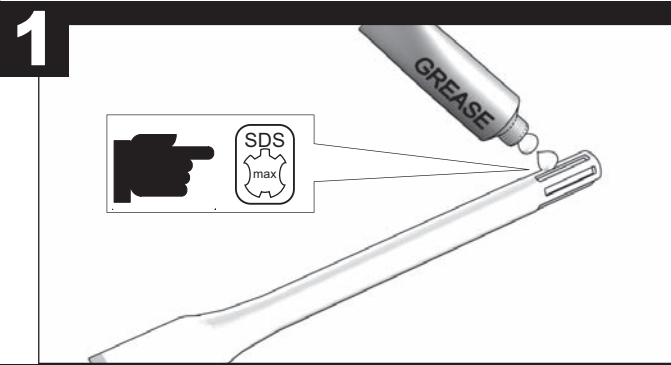
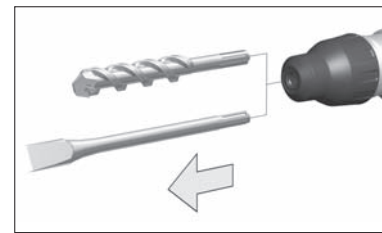
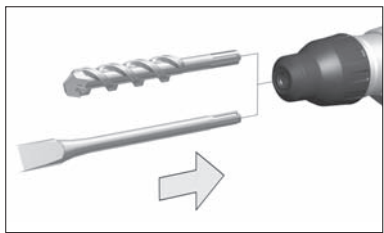
K545 S

Kombihammer	Kombinované kladivo
Combi Hammer	Młot wielofunkcyjny
Perforateur Burineur	Kombi fúrókalapács
Martelli combinati	Kombinirana kladiva
Martillo Combinado	Kombinirani čekič
Martelo Combinado	Combi āmurs
Combi-hamer	Kombinuotasis plaktukas
Kombihammer	Combi vasar
Kombihammer	3-х режимный перфоратор
Kombihammare	Комбиниран ударник
Yhdistelmävasara	Ciocan combi
ΠΕΡΙΣΤΡΟΦΙΚΟ-ΣΚΑΠΤΙΚΟ ΠΙΣΤΟΛΕΤΟ	Комби-чекан
Kombi çekici	Комбінований перфоратор
Kombinovaná kladiva	كزنسم قچیل تاڈ رفح قورطم

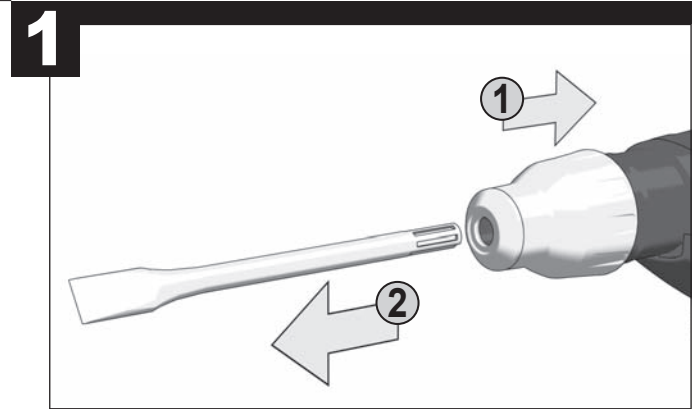
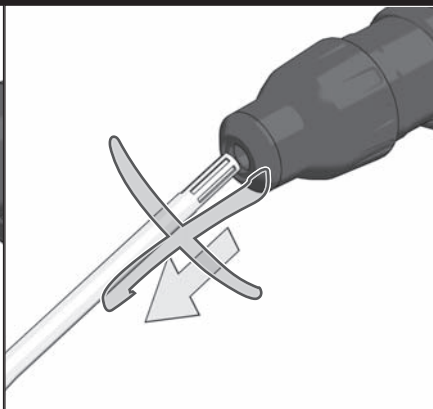
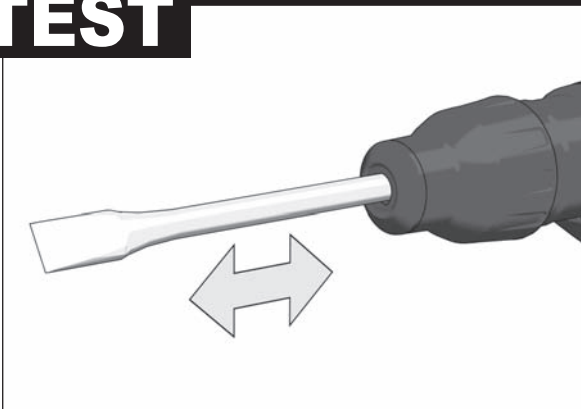
ENGLISH		Picture section with operating description and functional description	4
DEUTSCH		Bildteil mit Anwendungs- und Funktionsbeschreibungen	4
FRANÇAIS		Partie imagée avec description des applications et des fonctions	4
ITALIANO		Sezione illustrata con descrizione dell'applicazione e delle funzioni	4
ESPAÑOL		Sección de ilustraciones con descripción de aplicación y descripción funcional	4
PORTUGUES		Parte com imagens explicativas contendo descrição operacional e funcional	4
NEDERLANDS		Beelddedeelte met toepassings- en functiebeschrijvingen	4
DANSK		Billeddel med anvendelses- og funktionsbeskrivelser	4
NORSK		Billeddel med bruks- og funksjonsbeskrivelse	4
SVENSKA		Bilddel med användnings- och funktionsbeskrivning	4
SUOMI		Kuvasivut käyttö- ja toimintakuvaukset	4
ΕΛΛΗΝΙΚΑ		Τμήμα εικόνων με περιγραφές χρήσης και λειτουργίας	4
TÜRKÇE		Resim bölümü Uygulama ve fonksiyon açıklamaları ile birlikte	4
ČESKY		Obrazová část s popisem aplikací a funkcí	4
SLOVENSKY		Obrazová část s popisom aplikácií a funkcií	4
POLSKI		Część rysunkowa z opisami zastosowania i działania	4
MAGYAR		Képes részalkalmazási- és működési leírásokkal	4
SLOVENSKO		Del slikez opisom uporabe in funkcij	4
HRVATSKI		Dio sa slikamasa opisima primjene i funkcija	4
LATVISKI		Attēla daļa ar lietošanas un funkciju aprakstiem	4
LIETUVIŠKAI		Paveikslėlio dalis su vartojimo instrukcija ir funkcijų aprašymais	4
EESTI		Pildiosa kasutusjuhendi ja funktsioonide kirjeldusega	4
РУССКИЙ		Раздел иллюстраций с описанием эксплуатации и функций	4
БЪЛГАРСКИ		Част със снимки с описания за приложение и функции	4
ROMÂNIA		Secvența de imagine cu descrierea utilizării și a funcțiilor	4
МАКЕДОНСКИ		Дел со сликисо описи за употреба и функционирање	4
УКРАЇНСЬКА		Частина з зображеннями з описом робіт та функцій	4
عربي		قسم الصور يوجد به الوصف التشغيلي والوظيفي	4

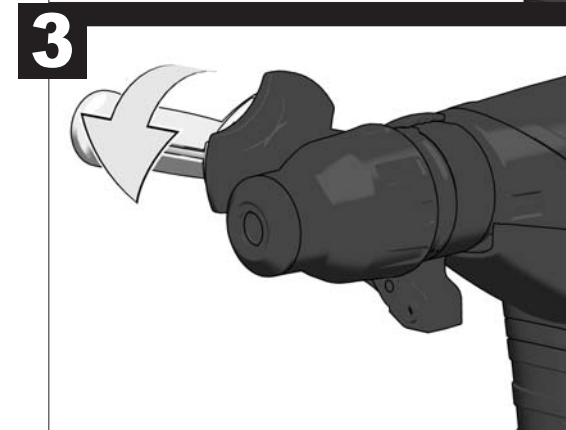
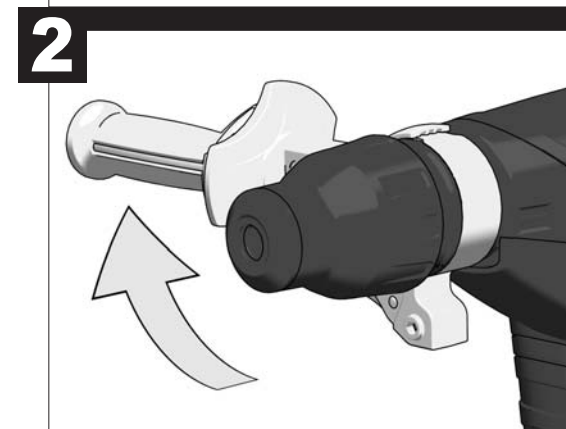
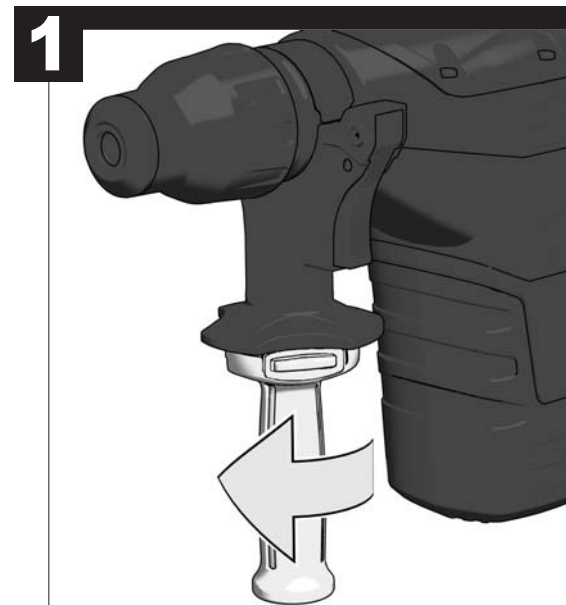
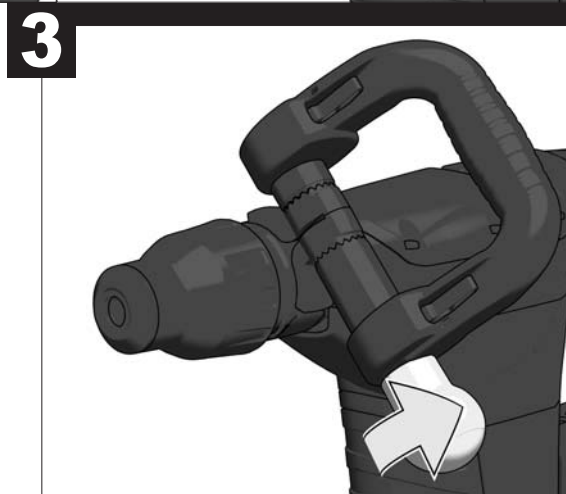
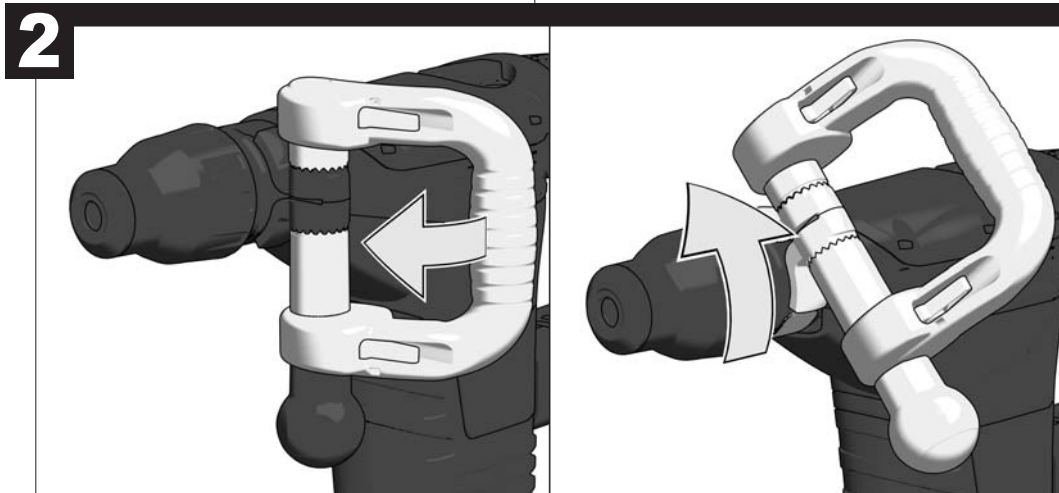
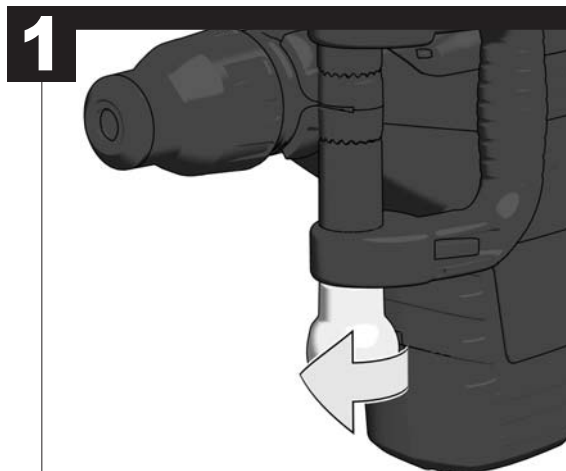
Text section with Technical Data, important Safety and Working Hints and description of Symbols	22
Textteil mit Technischen Daten, wichtigen Sicherheits- und Arbeitshinweisen und Erklärung der Symbole.	24
Partie textuelle avec les données techniques, les consignes importantes de sécurité et de travail ainsi que l'explication des pictogrammes.	26
Sezione testo con dati tecnici, importanti informazioni sulla sicurezza e sull'utilizzo, spiegazione dei simboli.	28
Sección de texto con datos técnicos, indicaciones importantes de seguridad y trabajo y explicación de los símbolos.	30
Parte com texto explicativo contendo Especificações técnicas, Avisos de segurança e de operação e a Descrição dos símbolos.	32
Tekstgedeelte met technische gegevens, belangrijke veiligheids- en arbeidsinstructies en verklaring van de symbolen.	34
Tekstdel med tekniske data, vigtige sikkerheds- og arbejdsanvisninger og symbolforklaring.	36
Tekstdel med tekniske data, viktige sikkerhets- og arbeidsinstruksjoner og forklaring av symbolene.	38
Tekstdel med tekniska informationer, viktiga säkerhets- och användningsinstruktioner samt symbolförklaringar.	40
Tekstisivut: tekniset tiedot, tärkeät turvallisuus- ja työskentelyohjeet sekä merkien selitykset.	42
Τμήμα κειμένου με τεχνικά χαρακτηριστικά, σημαντικές υποδείξεις ασφαλείας και εργασίας και εξήγηση των συμβόλων.	44
Teknik bilgileri, önemli güvenlik ve çalışma açıklamalarını ve de sembollerin açıklamalarını içeren metin bölümü.	46
Textová část s technickými daty, důležitými bezpečnostními a pracovními pokyny a s vysvětlivkami symbolů	48
Textová část s technickými datami, důležitými bezpečnostními a pracovními pokyny a s vysvětlivkami symbolov	50
Część opisowa z danymi technicznymi, ważnymi wskazówkami dotyczącymi bezpieczeństwa i pracy oraz objaśnieniami symboli.	52
Szöveges rész műszaki adatokkal, fontos biztonsági- és munkavégzési útmutatásokkal, valamint a szimbólumok magyarázata.	54
Del besedila s tehničnimi podatki, pomembnimi varnostnimi opozorili in delovnimi navodili in pojasnili simbolov.	56
Dio štiva sa tehničkim podacima, važnim sigurnosnim i radnim uputama i objašnjenjem simbola.	58
Teksta daļa ar tehnikajiem parametriem, svarīgiem drošības un darbības norādījumiem, simbolu atšifrējumiem.	60
Teksto dalis su techniniais duomenimis, svarbiomis saugumo ir darbo instrukcijomis bei simbolių paaiškinimais.	62
Tekstiosa tehniliste näitajate, oluliste ohutus- ja tööjuhenditega ning sümbolite kirjeldustega.	64
Текстовый раздел, включающий технические данные, важные рекомендации по безопасности и эксплуатации, а также описание используемых символов.	66
Част с текст с технически данни, важни указания за безопасност и работа и разяснение на символите.	68
Porțiune de text cu date tehnice, indicații importante privind siguranța și modul de lucru și descrierea simbolurilor.	70
Текстуален дел со Технички карактеристики, важни безбедносни и работни упатства и објаснување на симболите.	72
Текстова частина з техничними даними, важливими вказівками з техніки безпеки та експлуатації і поясненням символів.	74
القسم النصي المزود بالبيانات الفنية والنصائح الهامة للسلامة والعمل ووصف الرموز	79

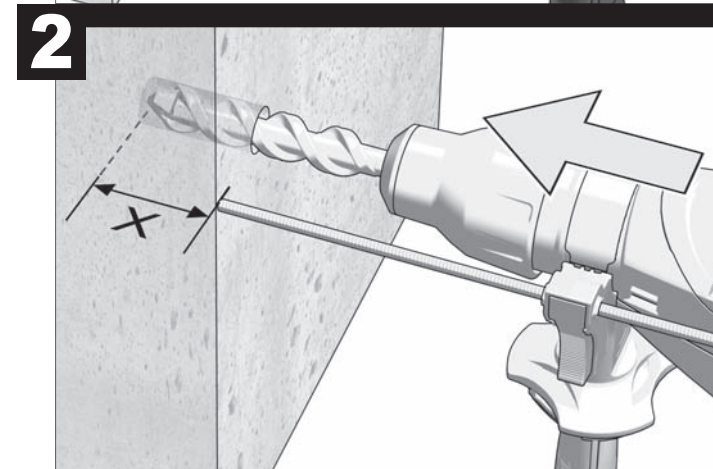
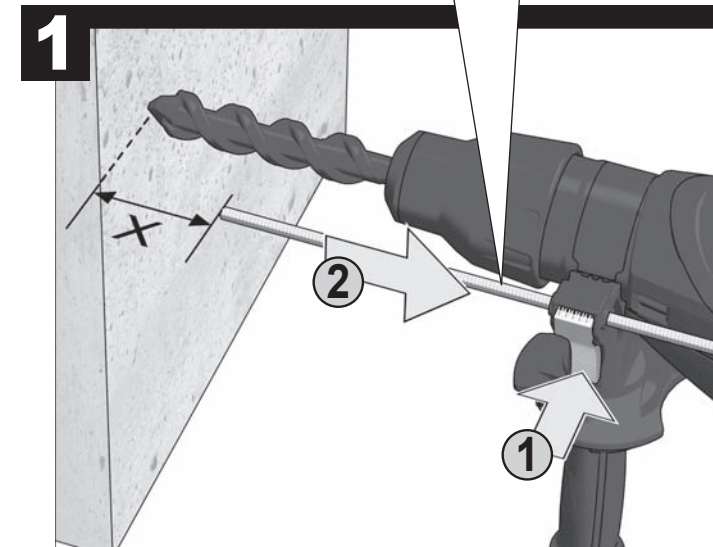
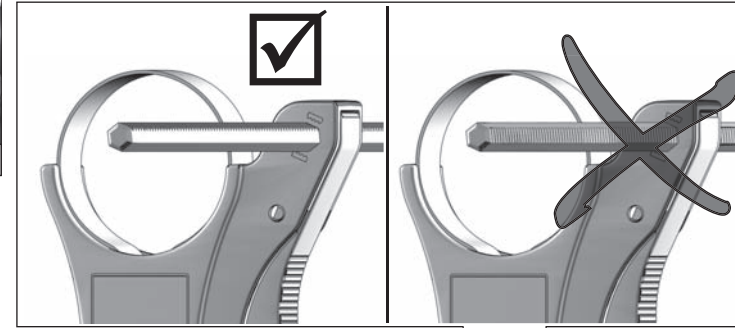
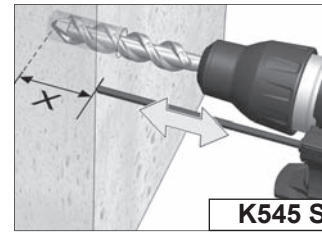
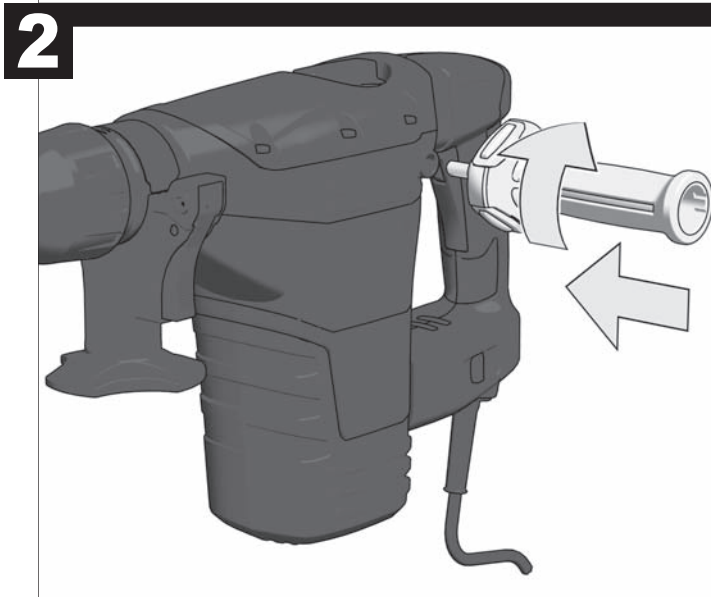
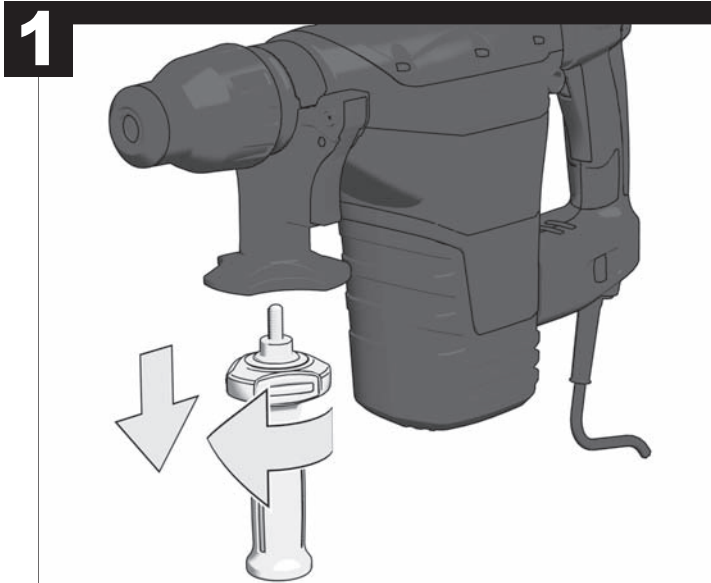


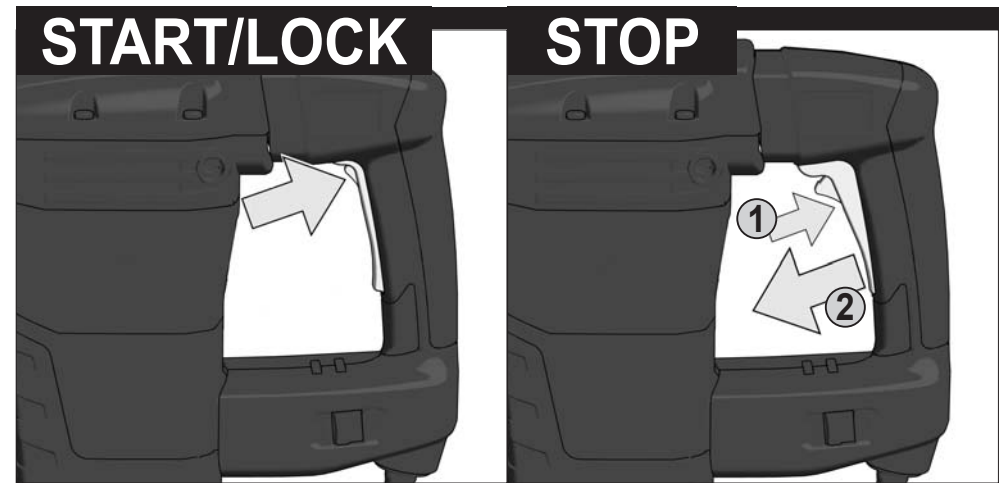
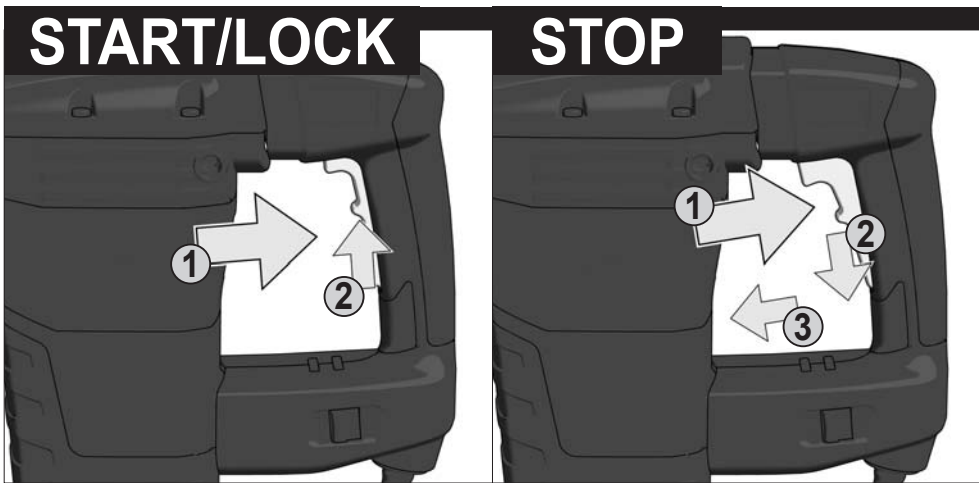
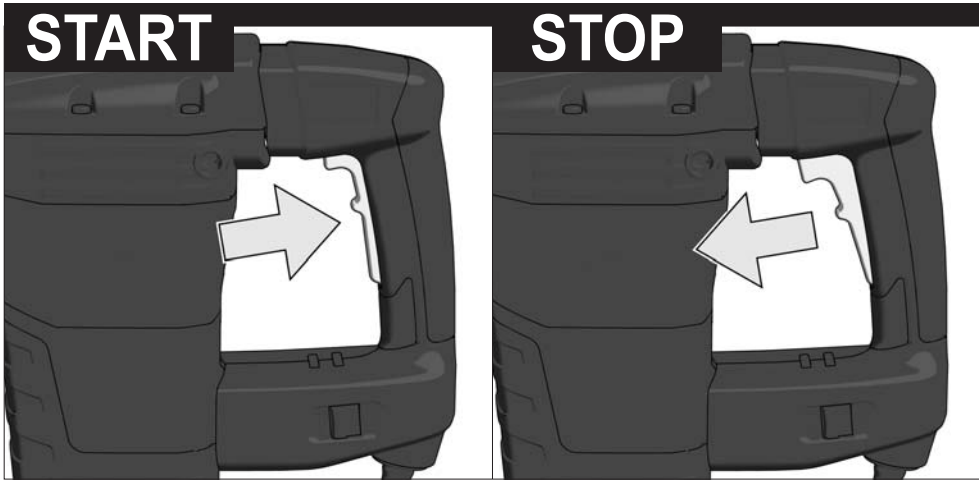


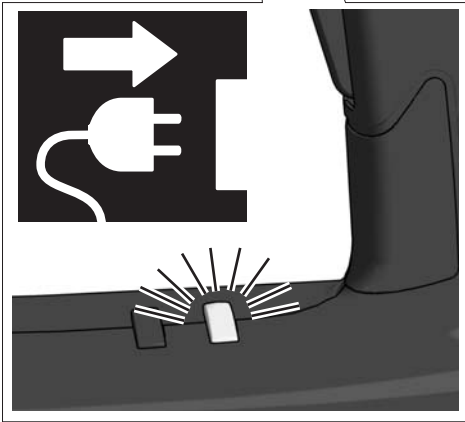
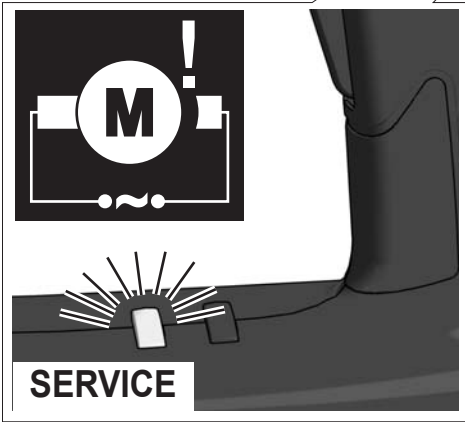
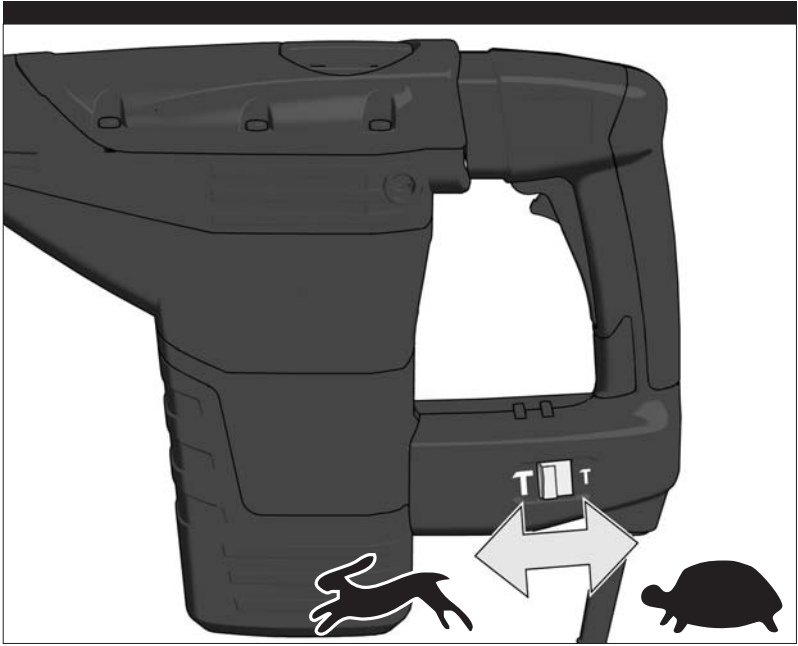
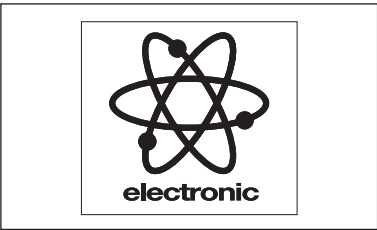
TEST

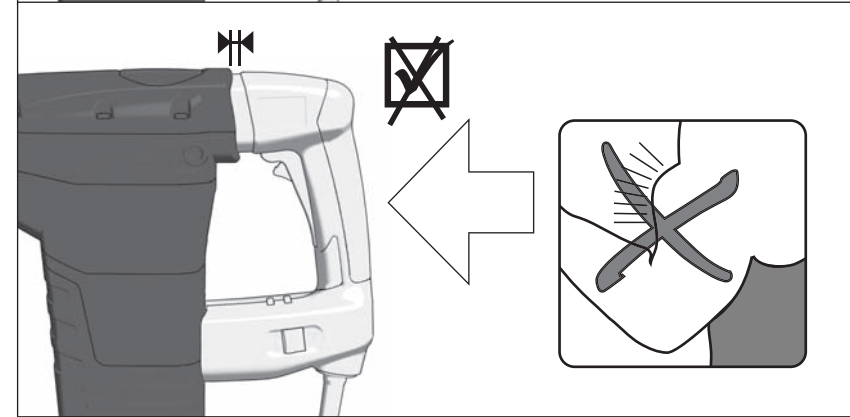
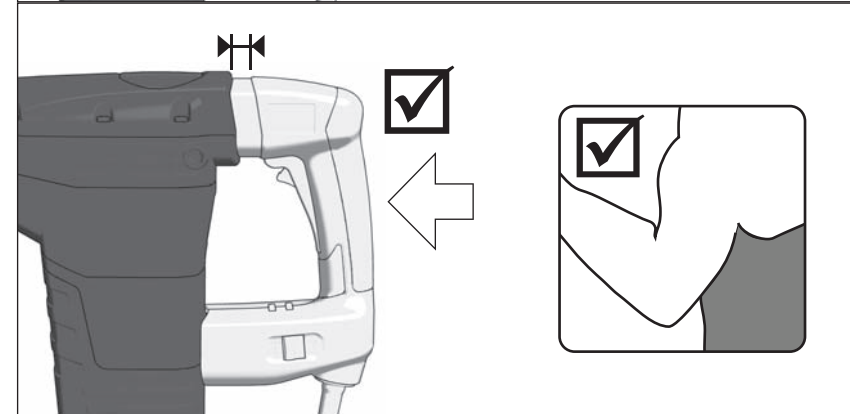
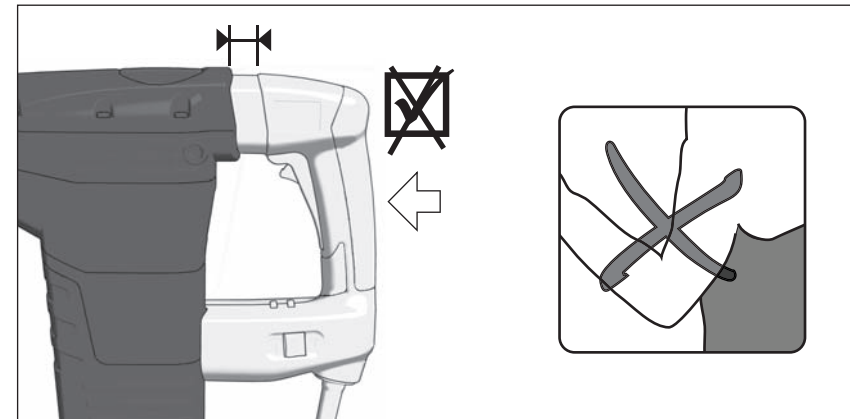
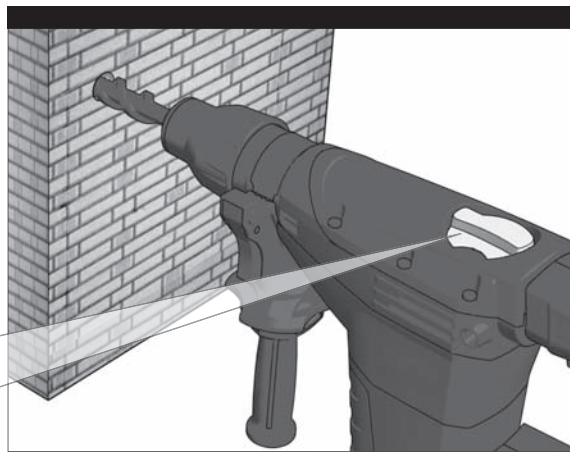
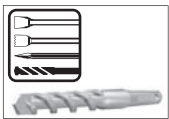
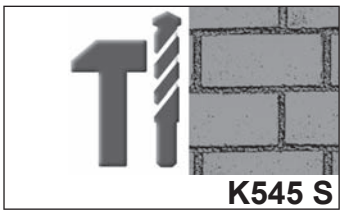
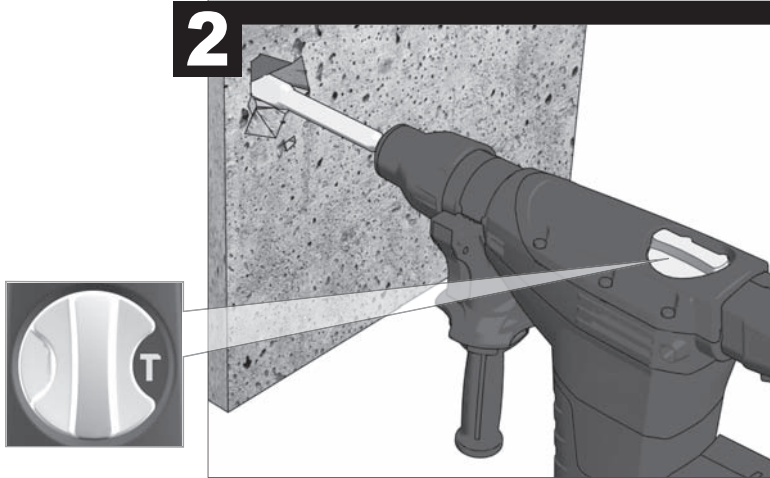
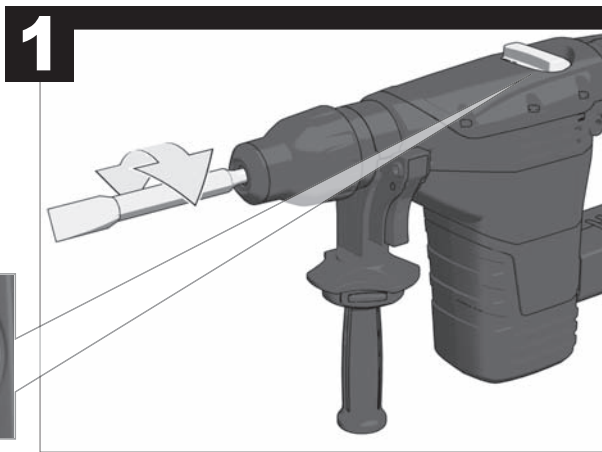
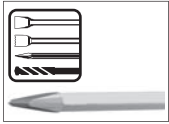
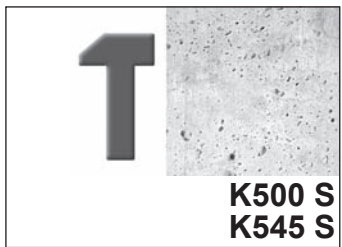


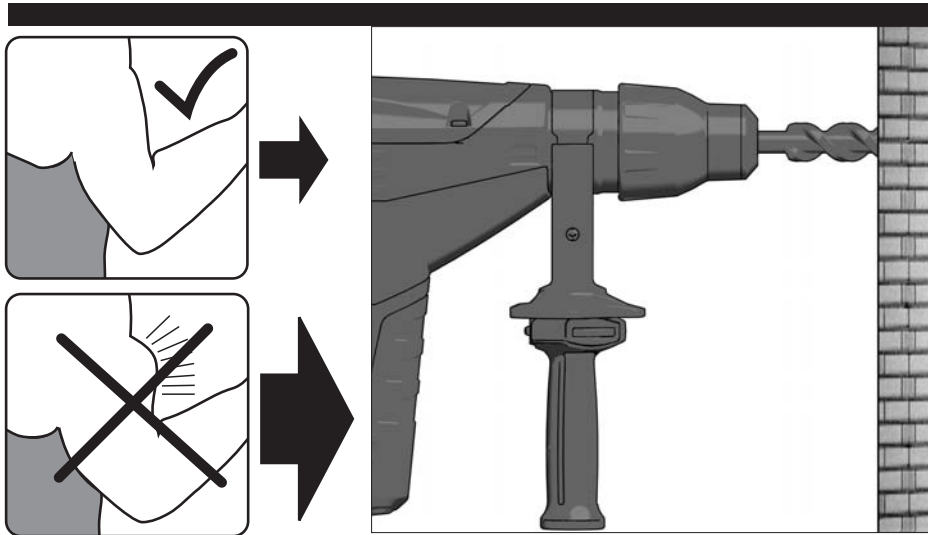
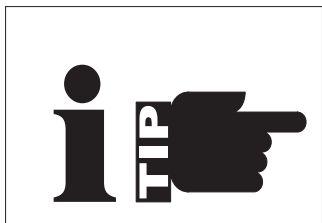












TECHNICAL DATA	K500 S	K545 S
Production code.....	4421 66 01...	4422 01 01...
.....	4421 58 01...	4421 96 01...
.....	4326 06 01...	4324 51 01...
.....	4077 95 01...	4260 25 01...
.....	4078 00 01...	4260 15 01...
.....	..000001-999999	..000001-999999
Rated input.....	1300 W.....	1300 W
Output.....	650 W.....	650 W
No-load speed.....	300 min ⁻¹	300 min ⁻¹
Speed under load max.....	300 min ⁻¹	300 min ⁻¹
Rate of percussion under load max.....	2840 min ⁻¹	2840 min ⁻¹
Impact energy per stroke according to EPTA-Procedure 05/2009.....	8,5 J	8,5 J
Drilling capacity in concrete.....	45 mm	45 mm
Tunnel bit in concrete, bricks and limestone.....	65 mm	65 mm
Core cutter in concrete, bricks and limestone.....	100 mm	100 mm
Chuck neck diameter.....	66 mm	66 mm
Weight according EPTA-Procedure 01/2003.....	6,3 kg	6,7 kg

Noise Information K545 S

Measured values determined according to EN 60 745.

Typically, the A-weighted noise levels of the tool are:

Sound pressure level (Uncertainty K=3dB(A)).....	98,5 dB (A)
Sound power level (Uncertainty K=3dB(A)).....	109,5 dB (A)

Wear ear protectors!

Noise Information K500 S

Typically the A-weighted sound pressure level of the

tool is.....	91 dB (A)
--------------	-----------

Measured values determined according to 2005/88/EG at the user's ear.

2005/88/EC: Conformity assessment procedure according to Annex

VI. Notified Body:

VDE Testing and Certification Institute, Merianstr. 28,

63069 Offenbach, Germany

Measured sound power level.....	101 dB (A)
---------------------------------	------------

Guaranteed sound power level.....	104 dB (A)
-----------------------------------	------------

Wear ear protectors!

Vibration information

Vibration total values (triaxial vector sum) determined according to

EN 60745

Hammer-drilling in concrete:

Vibration emission value a _h	11,5 m/s ²
---	-----------------------

Uncertainty K=.....	1,5 m/s ²
---------------------	----------------------

Chiselling

Vibration emission value a _h	11,5 m/s ²	9 m/s ²
---	-----------------------	--------------------

Uncertainty K=.....	1,9 m/s ²	1,9 m/s ²
---------------------	----------------------	----------------------

WARNING

The vibration emission level given in this information sheet has been measured in accordance with a standardised test given in EN 60745 and may be used to compare one tool with another. It may be used for a preliminary assessment of exposure.

The declared vibration emission level represents the main applications of the tool. However if the tool is used for different applications, with different accessories or poorly maintained, the vibration emission may differ. This may significantly increase the exposure level over the total working period.

An estimation of the level of exposure to vibration should also take into account the times when the tool is switched off or when it is running but not actually doing the job. This may significantly reduce the exposure level over the total working period.

Identify additional safety measures to protect the operator from the effects of vibration such as: maintain the tool and the accessories, keep the hands warm, organisation of work patterns.

WARNING! Read all safety warnings and all instructions.

Failure to follow the warnings and instructions may result in electric shock, fire and/or serious injury.

Save all warnings and instructions for future reference.

ROTARY HAMMER SAFETY WARNINGS

Wear ear protectors when impact drilling. Exposure to noise can cause hearing loss.

Use auxiliary handle(s), if supplied with the tool. Loss of control can cause personal injury.

Hold the power tool by insulated gripping surfaces only, when performing an operation where the cutting accessory may contact hidden wiring or its own cord. Cutting accessory contacting a "live" wire may make exposed metal parts of the power tool "live" and could give the operator an electric shock.

ADDITIONAL SAFETY AND WORKING INSTRUCTIONS

Use protective equipment. Always wear safety glasses when working with the machine. The use of protective clothing is recommended, such as dust mask, protective gloves, sturdy non-slip footwear, helmet and ear defenders.

The dust produced when using this tool may be harmful to health. Do not inhale the dust. Wear a suitable dust protection mask.

Do not machine any materials that present a danger to health (e.g. asbestos).

Switch the device off immediately if the insertion tool stalls! Do not switch the device on again while the insertion tool is stalled, as doing so could trigger a sudden recoil with a high reactive force. Determine why the insertion tool stalled and rectify this, paying heed to the safety instructions.

The possible causes may be:

- it is tilted in the workpiece to be machined
- it has pierced through the material to be machined
- the power tool is overloaded

Do not reach into the machine while it is running.

The insertion tool may become hot during use.

WARNING! Danger of burns

- when changing tools
- when setting the device down

Chips and splinters must not be removed while the machine is running.

Keep mains lead clear from working range of the machine. Always lead the cable away behind you.

When working in walls ceiling, or floor, take care to avoid electric cables and gas or waterpipes.

Clamp your workpiece with a clamping device. Unclamped workpieces can cause severe injury and damage.

Always disconnect the plug from the socket before carrying out any work on the machine.

When working with large drill diameters, the auxiliary handle must be fastened in a right angle with the main handle (see illustrations, section "Twisting the handle").

SPECIFIED CONDITIONS OF USE

K545 S: The pneumatic hammer can be universally used for hammer drilling and chiselling in stone and concrete.

K500 S: The hammer can be used for chiselling in stone and concrete.

Do not use this product in any other way as stated for normal use.

EC-DECLARATION OF CONFORMITY

We declare under our sole responsibility that the product described under "Technical Data" fulfills all the relevant provisions of the directives 2011/65/EU (RoHS), 2004/108/EC (until 19 April 2016), 2014/30/EU (from 20 April 2016), 2006/42/EC and the following harmonized standards have been used:

EN 60745-1:2009 + A11:2010

EN 60745-2-6:2010

EN 55014-1:2006 + A1:2009 + A2:2011

EN 55014-2:1997 + A1:2001 + A2:2008

EN 61000-3-2:2006 + A1:2009 + A2:2009

EN 61000-3-3:2013

EN 50581:2012

Winnenden, 2015-12-11

Alexander Krug

Alexander Krug
Managing Director



Authorized to compile the technical file

Techtronic Industries GmbH

Max-Eyth-Straße 10

71364 Winnenden

Germany

MAINS CONNECTION

Appliances used at many different locations including wet room and open air must be connected via a residual current device (FI, RCD, PRCD) of 30mA or less.

Connect only to single-phase AC current and only to the system voltage indicated on the rating plate. It is also possible to connect to sockets without an earthing contact as the design conforms to safety class II.

Make sure the machine is switched off before plugging in.

This is a device for professional use which may slightly exceed the guide values for current harmonics when it is connected to the public low voltage mains supply. You should therefore contact your

energy supply company before you connect the device to the public low voltage mains supply.

MAINTENANCE

The ventilation slots of the machine must be kept clear at all times.

Important note! If the carbon brushes are worn, in addition to exchanging the brushes the tool should be sent to after-sales service. This will ensure long service life and top performance.

If the supply cord of this appliance is damaged, it must only be replaced by a repair shop appointed by the manufacturer, to avoid hazardous situations.

Use only Milwaukee accessories and spare parts. Should components need to be replaced which have not been described, please contact one of our Milwaukee service agents (see our list of guarantee/service addresses).

If needed, an exploded view of the tool can be ordered. Please state the Article No. as well as the machine type printed on the label and order the drawing at your local service agents or directly at: Techtronic Industries GmbH, Max-Eyth-Straße 10, 71364 Winnenden, Germany.

SYMBOLS



CAUTION! WARNING! DANGER!



Always disconnect the plug from the socket before carrying out any work on the machine.



Please read the instructions carefully before starting the machine.



Accessory - Not included in standard equipment, available as an accessory.



Do not dispose of electric tools together with household waste material. Electric tools and electronic equipment that have reached the end of their life must be collected separately and returned to an environmentally compatible recycling facility. Check with your local authority or retailer for recycling advice and collection point.



Class II tool, tool in which protection against electric shock does not rely on basic insulation only, but in which additional safety precautions, such as double insulation or reinforced insulation, are provided. There being no provision for protective earthing or reliance upon installation conditions.



European Conformity Mark



Regulatory Compliance Mark (RCM). Product meets applicable regulatory requirements.



EurAsian Conformity Mark.

TECHNISCHE DATEN	K500 S	K545 S
Produktionsnummer	4421 66 01...	4422 01 01...
.....	4421 58 01...	4421 96 01...
.....	4326 06 01...	4324 51 01...
.....	4077 95 01...	4260 25 01...
.....	4078 00 01...	4260 15 01...
.....	..00001-999999	..00001-999999
Nennleistungsaufnahme.....	1300 W.....	1300 W
Abgabeleistung	650 W.....	650 W
Leerlaufdrehzahl.....	300 min ⁻¹	300 min ⁻¹
Lastdrehzahl max.....	300 min ⁻¹	300 min ⁻¹
Lastschlagzahl max.....	2840 min ⁻¹	2840 min ⁻¹
Einzelschlagstärke entsprechend EPTA-Procedure 05/2009	8,5 J	8,5 J
Bohr-Ø in Beton	45 mm	45 mm
Tunnelbohrer in Beton, Ziegel und Kalksandstein.....	65 mm	65 mm
Hohlbohrkrone in Beton, Ziegel und Kalksandstein.....	100 mm	100 mm
Spannhals-Ø	66 mm	66 mm
Gewicht nach EPTA-Prozedur 01/2003.....	6,3 kg	6,7 kg

Geräuschinformationen K545 S

Messwerte ermittelt entsprechend EN 60 745.

Der A-bewertete Geräuschpegel des Gerätes beträgt typischerweise:

Schalldruckpegel (Unsicherheit K=3dB(A)).....	98,5 dB (A)
Schalleistungspegel (Unsicherheit K=3dB(A)).....	109,5 dB (A)

Gehörschutz tragen!

Geräuschinformationen K500 S

Der A-bewertete Schalldruckpegel des Gerätes beträgt

typischerweise 91 dB (A)

Messwert ermittelt entsprechend 2005/88/EG am Ohr des Anwenders.

2005/88/EG: Konformitätsbewertungsverfahren nach

Anhang VI.

Benannte Stelle: VDE Prüf- und Zertifizierungsinstitut,

Merianstr. 28, 63069 Offenbach, Germany

Gemessener Schalleistungspegel..... 101 dB (A)

Garantierter Schalleistungspegel..... 104 dB (A)

Gehörschutz tragen!

Vibrationsinformationen

Schwingungsgesamtwerte (Vektorsumme dreier Richtungen) ermittelt

entsprechend EN 60745.

Hammerbohren in Beton:

Schwingungsemissionswert a _h	11,5 m/s ²
Unsicherheit K=.....	1,5 m/s ²

Meißeln

Schwingungsemissionswert a _h	11,5 m/s ²	9 m/s ²
Unsicherheit K=.....	1,9 m/s ²	1,9 m/s ²

WARNUNG

Der in diesen Anweisungen angegebene Schwingungspegel ist entsprechend einem in EN 60745 genormten Messverfahren gemessen worden und kann für den Vergleich von Elektrowerkzeugen miteinander verwendet werden. Er eignet sich auch für eine vorläufige Einschätzung der Schwingungsbelastung.

Der angegebene Schwingungspegel repräsentiert die hauptsächlichen Anwendungen des Elektrowerkzeugs. Wenn allerdings das Elektrowerkzeug für andere Anwendungen, mit abweichenden Einsatzwerkzeugen oder ungenügender Wartung eingesetzt wird, kann der Schwingungspegel abweichen. Dies kann die Schwingungsbelastung über den gesamten Arbeitszeitraum deutlich erhöhen.

Für eine genaue Abschätzung der Schwingungsbelastung sollten auch die Zeiten berücksichtigt werden, in denen das Gerät abgeschaltet ist oder zwar läuft, aber nicht tatsächlich im Einsatz ist. Dies kann die Schwingungsbelastung über den gesamten Arbeitszeitraum deutlich reduzieren.

Legen Sie zusätzliche Sicherheitsmaßnahmen zum Schutz des Bedieners vor der Wirkung von Schwingungen fest wie zum Beispiel: Wartung von Elektrowerkzeug und Einsatzwerkzeugen, Warmhalten der Hände, Organisation der Arbeitsabläufe.

! WARNUNG! Lesen Sie alle Sicherheitshinweise und Anweisungen.

Versäumnisse bei der Einhaltung der Sicherheitshinweise und Anweisungen können elektrischen Schlag, Brand und/oder schwere Verletzungen verursachen.

Bewahren Sie alle Sicherheitshinweise und Anweisungen für die Zukunft auf.

! SICHERHEITSHINWEISE FÜR BOHRHAMMER

Tragen Sie Gehörschutz beim Schlagbohren. Die Einwirkung von Lärm kann Gehörverlust bewirken.

Benutzen Sie die mit dem Gerät gelieferten Zusatzhandgriffe, wenn diese mitgeliefert werden. Der Verlust der Kontrolle kann zu Verletzungen führen.

Halten Sie das Elektrowerkzeug nur an den isolierten Griffflächen, wenn Sie Arbeiten ausführen, bei denen das Einsatzwerkzeug

verborgene Stromleitungen oder das eigene Netzkabel treffen kann. Der Kontakt mit einer spannungsführenden Leitung kann auch metallene Geräteteile unter Spannung setzen und zu einem elektrischen Schlag führen.

WEITERE SICHERHEITS- UND ARBEITSHINWEISE

Schutzrüstung verwenden. Beim Arbeiten mit der Maschine stets Schutzbrille tragen. Schutzkleidung wie Staubschutzmaske, Schutzhandschuhe, festes und rutschsicheres Schuhwerk, Helm und Gehörschutz werden empfohlen.

Beim Arbeiten entstehender Staub ist oft gesundheitsschädlich und sollte nicht in den Körper gelangen. Geeignete Staubschutzmaske tragen.

Es dürfen keine Materialien bearbeitet werden, von denen eine Gesundheitsgefährdung ausgeht (z.B. Asbest).

Beim Blockieren des Einsatzwerkzeuges bitte das Gerät sofort ausschalten! Schalten Sie das Gerät nicht wieder ein, solange das Einsatzwerkzeug blockiert ist; hier könnte ein Rückschlag mit hohem Reaktionsmoment entstehen. Ermitteln und beheben Sie die Ursache für die Blockierung des Einsatzwerkzeuges unter Berücksichtigung der Sicherheitshinweise.

Mögliche Ursachen dafür können sein:

- Verkanten im zu bearbeitenden Werkstück
- Durchbrechen des zu bearbeitenden Materials
- Überlasten des Elektrowerkzeuges

Greifen Sie nicht in die laufende Maschine.

Das Einsatzwerkzeug kann während der Anwendung heiß werden.

WARNUNG! Verbrennungsgefahr

- bei Werkzeugwechsel
- bei Ablegen des Gerätes

Späne oder Splitter dürfen bei laufender Maschine nicht entfernt werden.

Anschlusskabel stets vom Wirkungsbereich der Maschine fernhalten. Kabel immer nach hinten von der Maschine wegführen.

Beim Arbeiten in Wand, Decke oder Fußboden auf elektrische Kabel, Gas- und Wasserleitungen achten.

Sichern Sie Ihr Werkstück mit einer Spannvorrichtung. Nicht gesicherte Werkstücke können schwere Verletzungen und Beschädigungen verursachen.

Vor allen Arbeiten an der Maschine Stecker aus der Steckdose ziehen.

Bei großen Bohrdurchmessern muss der Zusatzhandgriff rechtwinklig zum Haupthandgriff befestigt werden (siehe auch im Bildteil, Abschnitt "Handgriff verdrehen").

BESTIMMUNGSGEMÄSSE VERWENDUNG

K545 S: Der Bohrerhammer ist universell einsetzbar zum Hammerbohren und Meißeln in Gestein und Beton.

K500 S: Der Meißelhammer ist einsetzbar zum Meißeln in Gestein und Beton.

Dieses Gerät darf nur wie angegeben bestimmungsgemäß verwendet werden.

CE-KONFORMITÄTserklärung

Wir erklären in alleiniger Verantwortung, dass das unter „Technische Daten“ beschriebene Produkt mit alle relevanten Vorschriften der Richtlinie 2011/65/EU (RoHS), 2004/108/EG (bis 19. April 2016), 2014/30/EU (ab 20. April 2016), 2006/42/EG und den folgenden harmonisierten normativen Dokumenten übereinstimmt:

EN 60745-1:2009 + A11:2010

EN 60745-2-6:2010

EN 55014-1:2006 + A1:2009 + A2:2011

EN 55014-2:1997 + A1:2001 + A2:2008

EN 61000-3-2:2006 + A1:2009 + A2:2009

EN 61000-3-3:2013

EN 50581:2012

Winnenden, 2015-12-11

Alexander Krug

Alexander Krug
Managing Director



Bevollmächtigt die technischen Unterlagen zusammenzustellen.

Techtronic Industries GmbH
Max-Eyth-Straße 10
71364 Winnenden
Germany

NETZANSCHLUSS

Steckdosen in Feuchträumen und Außenbereichen müssen mit Fehlerstrom-Schutzschaltern (FI, RCD, PRCD) ausgerüstet sein. Das verlangt die Installationsvorschrift für Ihre Elektroanlage. Bitte beachten Sie das bei der Verwendung unseres Gerätes.

Nur an Einphasen-Wechselstrom und nur an die auf dem Leistungsschild angegebene Netzspannung anschließen. Anschluss ist auch an

Steckdosen ohne Schutzkontakt möglich, da ein Aufbau der Schutzklasse II vorliegt.

Gerät nur ausgeschaltet an die Steckdose anschließen.

Dies ist ein Gerät zur professionellen Nutzung, das die Richtwerte für Stromobervellen beim Anschluss an das öffentliche Niederspannungsnetz geringfügig überschreiten kann. Kontaktieren Sie daher vor dem Anschluss des Gerätes an das öffentliche Niederspannungsnetz gegebenenfalls Ihr zuständiges Energieversorgungsunternehmen.

WARTUNG

Stets die Lüftungsschlitze der Maschine sauber halten.

Bei abgenutzten Kohlebürsten sollte zusätzlich zum Kohlebürstenwechsel ein Kundendienst in einer Servicewerkstatt durchgeführt werden. Dies erhöht die Lebensdauer der Maschine und garantiert eine ständige Betriebsbereitschaft.

Wenn die Netzanschlussleitung beschädigt ist, muss diese durch eine Kundendienststelle ausgewechselt werden, um Gefährdungen zu vermeiden.

Nur Milwaukee Zubehör und Ersatzteile verwenden. Bauteile, deren Austausch nicht beschrieben wurde, bei einer Milwaukee Kundendienststelle auswechseln lassen (Broschüre Garantie/ Kundendienstadressen beachten).

Bei Bedarf kann eine Explosionszeichnung des Gerätes unter Angabe der Maschinen Type und der sechsstelligen Nummer auf dem Leistungsschild bei Ihrer Kundendienststelle oder direkt bei Techtronic Industries GmbH, Max-Eyth-Straße 10, 71364 Winnenden, Germany angefordert werden.

SYMBOLS



ACHTUNG! WARNUNG! GEFAHR!



Vor allen Arbeiten an der Maschine Stecker aus der Steckdose ziehen.



Bitte lesen Sie die Gebrauchsanweisung vor Inbetriebnahme sorgfältig durch.



Zubehör - Im Lieferumfang nicht enthalten, empfohlene Ergänzung aus dem Zubehörprogramm.



Elektrogeräte dürfen nicht zusammen mit dem Hausmüll entsorgt werden. Elektrische und elektronische Geräte sind getrennt zu sammeln und zur umweltgerechten Entsorgung bei einem Verwertungsbetrieb abzugeben. Erkundigen Sie sich bei den örtlichen Behörden oder bei Ihrem Fachhändler nach Recyclinghöfen und Sammelstellen.



Elektrowerkzeug der Schutzklasse II. Elektrowerkzeug, bei dem der Schutz vor einem elektrischen Schlag nicht nur von der Basisisolierung abhängt, sondern auch davon, dass zusätzliche Schutzmaßnahmen, wie doppelte Isolierung oder verstärkte Isolierung, angewendet werden. Es gibt keine Vorrichtung zum Anschluss eines Schutzleiters.



CE-Zeichen



Regulatory Compliance Mark (RCM). Das Produkt erfüllt die geltenden Vorschriften.



EurAsian Konformitätszeichen.

CARACTÉRISTIQUES TECHNIQUES	K500 S	K545 S
Numéro de série	4421 66 01...	4422 01 01...
.....	4421 58 01...	4421 96 01...
.....	4326 06 01...	4324 51 01...
.....	4077 95 01...	4260 25 01...
.....	4078 00 01...	4260 15 01...
.....	..000001-999999	..000001-999999
Puissance nominale de réception.....	1300 W.....	1300 W
Puissance utile	650 W.....	650 W
Vitesse de rotation à vide	300 min ⁻¹	300 min ⁻¹
Vitesse de rotation en charge.....	300 min ⁻¹	300 min ⁻¹
Perçage à percussion charge max.....	2840 min ⁻¹	2840 min ⁻¹
Puissance de frappe individuelle suivant EPTA-Procédure 05/2009	8,5 J	8,5 J
Ø de perçage dans le béton.....	45 mm	45 mm
Foret dans le béton, la brique et la brique silico-calcaire	65 mm	65 mm
Couronne-trépan dans le béton, la brique et la brique silico-calcaire	100 mm	100 mm
Ø du collier de serrage.....	66 mm	66 mm
Poids suivant EPTA-Procédure 01/2003	6,3 kg	6,7 kg

Informations sur le bruit K545 S

Valeurs de mesure obtenues conformément à la EN 60 745.....
Les mesures réelles (A) des niveaux acoustiques de l'appareil sont

Niveau de pression acoustique (K=3 dB(A)).....	98,5 dB (A)
Niveau d'intensité acoustique (K=3 dB(A)).....	109,5 dB (A)

Toujours porter une protection acoustique!

Informations sur le bruit K500 S

La mesure réelle (A) du niveau de bruit de l'outil est 91 dB (A)

Valeur calculée conformément au procédé 2005/88/CE sur l'oreille de l'utilisateur

2005/88/EG: procédé d'évaluation de conformité selon l'annexe VI.

Service administratif cité: VDE Testing and Certification Institute, Merianstr. 28, 63069 Offenbach, Allemagne

Niveau de puissance acoustique mesuré 101 dB (A)

Niveau de puissance acoustique garanti 104 dB (A)

Toujours porter une protection acoustique!

Informations sur les vibrations

Valeurs totales des vibrations (somme vectorielle de trois sens) établies conformément à EN 60745.

Perçage à percussion le béton:

Valeur d'émission vibratoire a_v 11,5 m/s²

Incertitude K= 1,5 m/s²

Burinage

Valeur d'émission vibratoire a_v 11,5 m/s²

Incertitude K= 1,9 m/s²

AVERTISSEMENT

Le niveau vibratoire indiqué dans ces instructions a été mesuré selon un procédé de mesure normalisé dans la norme EN 60745 et peut être utilisé pour comparer des outils électriques entre eux. Il convient aussi à une estimation provisoire de la sollicitation par les vibrations.

Le niveau vibratoire indiqué représente les applications principales de l'outil électrique. Toutefois, si l'outil électrique est utilisé pour d'autres applications, avec des outils rapportés qui diffèrent ou une maintenance insuffisante, il se peut que le niveau vibratoire diverge. Cela peut augmenter nettement la sollicitation par les vibrations sur tout l'intervalle de temps du travail.

Pour une estimation précise de la sollicitation par les vibrations, on devrait également tenir compte des temps pendant lesquels l'appareil n'est pas en marche ou tourne sans être réellement en service. Cela peut réduire nettement la sollicitation par les vibrations sur tout l'intervalle de temps du travail.

Définissez des mesures de sécurité supplémentaires pour protéger l'utilisateur contre l'influence des vibrations, comme par exemple : la maintenance de l'outil électrique et des outils rapportés, le maintien au chaud des mains, l'organisation des déroulements de travail.

AVIS! Lire complètement les instructions et les indications de sécurité. Le non-respect des avertissements et instructions indiqués ci après peut entraîner un choc électrique, un incendie et/ou de graves blessures sur les personnes.
Bien garder tous les avertissements et instructions.

INDICATIONS DE SÉCURITÉ POUR MARTEAU PERFORATEUR

Porter un casque de protection au cours du perçage à percussion. L'exposition au bruit pourrait provoquer une diminution de l'ouïe.

Utilisez les poignées supplémentaires livrées en même temps que l'appareil. La perte de contrôle peut mener à des blessures.

Maintenez l'appareil par les surfaces de poignée isolées lorsque vous exécutez des travaux pendant lesquels l'outil de coupe peut toucher des lignes électriques dissimulées ou le propre câble. Le contact de l'outil de coupe avec un câble qui conduit la tension peut mettre les pièces métalliques de l'appareil sous tension et mener à une décharge électrique.

AVIS COMPLÉMENTAIRES DE SÉCURITÉ ET DE TRAVAIL

Utiliser l'équipement de protection. Toujours porter des lunettes de protection pendant le travail avec la machine. Il est recommandé de porter des articles de protection, tels que masque antipoussière, gants de protection, chaussures tenant bien aux pieds et antidérapantes, casque et protection acoustique.

Les poussières qui sont dégagées pendant les travaux sont souvent nocives pour la santé et ne devraient pas pénétrer dans le corps. Porter un masque de protection approprié contre les poussières.

Il est interdit de travailler des matériaux dangereux pour la santé (par ex. amiante).

Désactiver immédiatement le dispositif en cas de blocage ! Ne pas réactiver le dispositif avec l'outil bloqué; il y a le risque de provoquer un contre-coup avec moment de réaction élevé. Établir et éliminer la cause du blocage de l'outil en prêtant attention aux consignes de sécurité.

Les causes possibles sont :

- Encastrement dans la pièce à travailler.
- Le dispositif a traversé le matériau à travailler en le cassant.
- Le dispositif électrique a été surchargé.

Ne pas approcher les mains de la partie en mouvement de la machine.

Durant l'utilisation, l'outil peut se surchauffer.

AVERTISSEMENT! Danger de brûlures

- durant le remplacement de l'outil
- durant la dépose de l'outil

Ne jamais enlever les copeaux ni les éclats lorsque la machine est en marche.

Le câble d'alimentation doit toujours se trouver en dehors du champ d'action de la machine. Toujours maintenir le câble d'alimentation à l'arrière de la machine.

Lors du perçage dans les murs, les plafonds ou les planchers, toujours faire attention aux câbles électriques et aux conduites de gaz et d'eau.

Fixer fermement la pièce en exécution à l'aide d'un dispositif de serrage.

Des pièces en exécution non fermement fixées peuvent provoquer des dommages et des lésions graves.

Avant tous travaux sur la machine extraire la fiche de la prise de courant.

Pour effectuer de grands diamètres de perçage, la poignée supplémentaire doit être montée perpendiculairement à la poignée principale. Voir aussi les figures se trouvant dans le chapitre « Ajustement de la poignée ».

UTILISATION CONFORME AUX PRESCRIPTIONS

K545 S: Le marteau-perforateur est conçu pour un travail universel de perçage à percussion et de burinage dans la maçonnerie et de béton.

K500 S: Le brise-béton peut-être utilisé pour de gros travaux de burinage dans la maçonnerie et de béton

Comme déjà indiqué, cette machine n'est conçue que pour être utilisée conformément aux prescriptions.

DECLARATION CE DE CONFORMITÉ

Nous déclarons sous notre propre responsabilité que le produit décrit aux „Données techniques“ est conforme à toutes les dispositions des directives 2011/65/EU (RoHS), 2004/108/CE (jusqu'au 19 Avril 2016), 2014/30/UE (à partir du 20 Avril 2016), 2006/42/CE et des documents normatifs harmonisés suivants:

EN 60745-1:2009 + A11:2010

EN 60745-2-6:2010

EN 55014-1:2006 + A1:2009 + A2:2011

EN 55014-2:1997 + A1:2001 + A2:2008

EN 61000-3-2:2006 + A1:2009 + A2:2009

EN 61000-3-3:2013

EN 50581:2012

Winnenden, 2015-12-11

Alexander Krug

Alexander Krug
Managing Director



Autorisé à compiler la documentation technique.

Techtronic Industries GmbH
Max-Eyth-Straße 10
71364 Winnenden
Germany

BRANCHEMENT SECTEUR

Les prises de courant se trouvant à l'extérieur doivent être équipées de disjoncteurs différentiel (FI, RCD, PRCD) conformément aux prescriptions de mise en place de votre installation électrique. Veuillez en tenir compte lors de l'utilisation de notre appareil.

Raccorder uniquement à un courant électrique monophasé et uniquement à la tension secteur indiquée sur la plaque signalétique. Le raccordement à des prises de courant sans contact de protection est également possible car la classe de protection II est donnée.

Ne relier l'appareil à la prise de courant que lorsqu'il est débranché.

Il s'agit ici d'un appareil pour l'utilisation professionnelle qui peut dépasser légèrement les valeurs de référence pour les ondes harmoniques du courant lors du branchement au réseau public de basse tension. C'est pourquoi vous devriez contacter le cas échéant votre entreprise compétente en matière d'approvisionnement en énergie avant de brancher l'appareil au réseau public de basse tension.

ENTRETIEN

Tenir toujours propres les orifices de ventilation de la machine.

Attention! Lorsque les balais (charbons) sont usés, il est recommandé de faire effectuer, outre le changement des balais (charbons), une inspection dans une station de service après-vente. Ceci augmente la durée de vie de la machine et garantit un fonctionnement permanent de la machine.

Si le câble de raccordement au réseau secteur est endommagé, celui-ci doit être remplacé par un centre de service après-vente, pour éviter les risques.

N'utiliser que des pièces et accessoires Milwaukee. Pour des pièces dont l'échange n'est pas décrit, s'adresser de préférence aux stations de service après-vente Milwaukee (voir brochure Garantie/Adresses des stations de service après-vente).

Si besoin est, une vue éclatée de l'appareil peut être fournie. S'adresser, en indiquant bien le numéro porté sur la plaque signalétique, à votre station de service après-vente (voir liste jointe) ou directement à Techtronic Industries GmbH, Max-Eyth-Straße 10, 71364 Winnenden, Germany.

SYMBOLES



ATTENTION! AVERTISSEMENT! DANGER!



Avant tous travaux sur la machine extraire la fiche de la prise de courant.



Veuillez lire avec soin le mode d'emploi avant la mise en service



Accessoires - Ces pièces ne font pas partie de la livraison. Il s'agit là de compléments recommandés pour votre machine et énumérés dans le catalogue des accessoires.



Les dispositifs électriques ne sont pas à éliminer dans les déchets ménagers. Les dispositifs électriques et électroniques sont à collecter séparément et à remettre à un centre de recyclage en vue de leur élimination dans le respect de l'environnement. S'adresser aux autorités locales ou au détaillant spécialisé en vue de connaître l'emplacement des centres de recyclage et des points de collecte.



Outil électrique en classe de protection II. Outil électrique équipé d'une protection contre la fulguration électrique qui ne dépend seulement de l'isolation de base mais aussi de l'application d'autres mesures de protection telles qu'une double isolation ou une isolation augmentée. La connexion d'un conducteur de protection n'est pas prédisposée.



Marque CE



Regulatory Compliance Mark (RCM). Le produit est conforme aux prescriptions en vigueur.



Marque de qualité EurAsian

DATOS TÉCNICOS		K500 S	K545 S
Número de producción	4421 66 01... 4421 58 01... 4326 06 01... 4077 95 01... 4078 00 01...000001-999999	4422 01 01... 4421 96 01... 4324 51 01... 4260 25 01... 4260 15 01...000001-999999
Potencia de salida nominal	1300 W	1300 W
Potencia entregada	650 W	650 W
Velocidad en vacío	300 min ⁻¹	300 min ⁻¹
Velocidades en carga max.	300 min ⁻¹	300 min ⁻¹
Frecuencia de impactos bajo carga	2840 min ⁻¹	2840 min ⁻¹
Energía por percusión según EPTA-Procedure 05/2009	8,5 J	8,5 J
Diámetro de taladrado en hormigón	45 mm	45 mm
Brocas túnel en hormigón, ladrillo y arenisca	65 mm	65 mm
Broca de corona en hormigón, ladrillo y arenisca	100 mm	100 mm
Diámetro de cuello de amarre	66 mm	66 mm
Peso de acuerdo con el procedimiento EPTA 01/2003	6,3 kg	6,7 kg

Información sobre ruidos K545 S

Determinación de los valores de medición según norma EN 60 745.
El nivel de ruido típico del aparato determinado con un filtro A corresponde a:

Presión acústica (Tolerancia K=3dB(A))	98,5 dB (A)
Resonancia acústica (Tolerancia K=3dB(A))	109,5 dB (A)

Usar protectores auditivos!

Información sobre ruidos K500 S

La presión acústica se eleva normalmente 91 dB (A)

Valores medidos según norma 2005/88/EC al oído del usuario
2005/88/EC: procedimiento de conformidad según Anexo VI.

Organismo notificado:

VDE Testing and Certification Institute, Merianstr. 28,
63069 Offenbach, Alemania

Nivel de potencia sonora medido 101 dB (A)

Nivel de potencia sonora garantizado 104 dB (A)

Usar protectores auditivos!

Informaciones sobre vibraciones

Nivel total de vibraciones (suma vectorial de tres direcciones)
determinado según EN 60745.

Taladrar en hormigón:

Valor de vibraciones generadas a_w 11,5 m/s²

Tolerancia K= 1,5 m/s²

Cincelar

Valor de vibraciones generadas a_w 11,5 m/s²

Tolerancia K= 1,9 m/s²

ADVERTENCIA

El nivel vibratorio indicado en estas instrucciones ha sido medido conforme a un método de medición estandarizado en la norma EN 60745, y puede utilizarse para la comparación entre herramientas eléctricas. También es apropiado para una estimación provisional de la carga de vibración.

El nivel vibratorio indicado representa las aplicaciones principales de la herramienta eléctrica. Si, pese a ello, se utiliza la herramienta eléctrica para otras aplicaciones, con útiles adaptables diferentes o con un mantenimiento insuficiente, el nivel vibratorio puede diferir. Esto puede incrementar sensiblemente la carga de vibración durante todo el periodo de trabajo.

Para una estimación exacta de la carga de vibración deberían tenerse en cuenta también los tiempos durante los que el aparato está apagado o, pese a estar en funcionamiento, no está siendo realmente utilizado. Esto puede reducir sustancialmente la carga de vibración durante todo el periodo de trabajo.

Adopte medidas de seguridad adicionales para la protección del operador frente al efecto de las vibraciones, como por ejemplo: mantenimiento de la herramienta eléctrica y de los útiles adaptables, mantener las manos calientes, organización de los procesos de trabajo.

⚠ ATENCIÓN: Lea atentamente las indicaciones e instrucciones de seguridad.

En caso de no atenderse a las advertencias de peligro e instrucciones siguientes, ello puede ocasionar una descarga eléctrica, un incendio y/o lesión grave.

Guardar todas las advertencias de peligro e instrucciones para futuras consultas.

⚠ INSTRUCCIONES DE SEGURIDAD PARA TALADRO DE PERCUSIÓN

Utilice protectores de oídos al taladrar con percusión. La exposición a niveles de ruido excesivos puede causar la pérdida de audición.

¡Utilice las empuñaduras auxiliares suministradas con la herramienta!

La pérdida de control de la herramienta puede causar accidentes

Sujete el aparato de las superficies aisladas de agarre al efectuar trabajos en los cuales la perforadora de percusión pueda entrar en contacto con conductores de corriente ocultos o con el propio cable.

El contacto de la perforadora de percusión con un conducto con energía

aplicada también podrá poner bajo tensión partes metálicas del aparato y causar un choque eléctrico.

INSTRUCCIONES ADICIONALES DE SEGURIDAD Y LABORALES

Utilice el equipamiento de protección. Mientras trabaje con la máquina lleve siempre gafas protectoras. Se recomienda utilizar ropa de protección como máscara protectora contra el polvo, guantes protectores, calzado resistente y antideslizante, casco y protección para los oídos.

El polvo que se produce durante estos trabajos puede ser nocivo a la salud; es por ello es aconsejable que no penetre al cuerpo. Utilice por ello una máscara protectora contra polvo.

No se deben trabajar materiales que conlleven un riesgo para la salud (por ej. amianto).

¡En caso de que se bloquee el útil, el aparato se debe desconectar inmediatamente! No vuelva a conectar el aparato, mientras el útil esté

bloqueado; se podría producir un rechazo debido a la reacción de retroceso brusca. Averigüe y elimine la causa del bloqueo del útil, teniendo en cuenta las indicaciones de seguridad.

Causas posibles para ello pueden ser:

- Atascamiento o bloqueo en la pieza de trabajo
- Rotura del material con el que está trabajando
- Sobrecarga de la herramienta eléctrica

No introduzca las manos en la máquina mientras ésta se encuentra en funcionamiento.

El útil se puede calentar durante el uso.

ADVERTENCIAL Peligro de quemaduras

- en caso de cambiar la herramienta
- en caso de depositar el aparato

Nunca se debe intentar limpiar el polvo o viruta procedente del taladrado con la máquina en funcionamiento.

Mantener siempre el cable separado del radio de acción de la máquina.

Para trabajar en paredes, techo o suelo, tenga cuidado para evitar los cables eléctricos y tuberías de gas o agua.

Fije la pieza de trabajo con un dispositivo de fijación. Las piezas de trabajo no fijadas pueden causar lesiones graves y deterioros.

Desconecte siempre el enchufe antes de llevar a cabo cualquier trabajo en la máquina.

Cuando se trabaje en grandes diámetros, se debe colocar la empuñadura auxiliar en ángulo recto con respecto a la empuñadura principal (ver ilustración, sección "girar la empuñadura")

APLICACIÓN DE ACUERDO A LA FINALIDAD

K545 S: El martillo es utilizable para todo tipo de taladrados y cincelados en piedras y hormigón.

K500 S: El martillo es utilizable en trabajos de cincelados en piedras y hormigón.

No utilice este producto para ninguna otra aplicación que no sea su uso normal.

DECLARACION DE CONFORMIDAD CE

Declaramos bajo nuestra responsabilidad que el producto descrito bajo "Datos técnicos" está en conformidad con todas las normas relevantes de la directiva 2011/65/EU (RoHS), 2004/108/CE (hasta 19 Abril 2016), 2014/30/UE (desde 20 Abril 2016), 2006/42/CE y con las siguientes normas o documentos normalizados:

EN 60745-1:2009 + A11:2010

EN 60745-2-6:2010

EN 55014-1:2006 + A1:2009 + A2:2011

EN 55014-2:1997 + A1:2001 + A2:2008

EN 61000-3-2:2006 + A1:2009 + A2:2009

EN 61000-3-3:2013

EN 50581:2012

Winnenden, 2015-12-11

Alexander Krug

Alexander Krug
Managing Director



Autorizado para la redacción de los documentos técnicos.

Techtronic Industries GmbH

Max-Eyth-Straße 10

71364 Winnenden

Germany

CONEXIÓN ELÉCTRICA

Conecte siempre la máquina a una red protegida por interruptor diferencial y magnetotérmico (FI, RCD, PRCD), para su seguridad personal, según normas establecidas para instalaciones eléctricas de baja tensión.

Conectar solamente a corriente AC monofásica y sólo al voltaje indicado en la placa de características. También es posible la conexión a enchufes sin toma a tierra, dado que es conforme a la Clase de Seguridad II.

Asegurarse que la máquina está desconectada antes de enchufarla.

Este es un aparato destinado al empleo profesional el cual puede exeder ligeramente los valores orientativos para armónicas de corriente al efectuar la conexión del mismo a la red pública de baja tensión. Aconsejamos por ello ponerse en caso dado en contacto con la empresa de suministro de energía competente antes de conectar el aparato.

MANTENIMIENTO

Las ranuras de ventilación de la máquina deben estar despejadas en todo momento.

Cuando el martillo ha gastado las escobillas nunca se deberán sustituir: el martillo deberá ser enviado a un servicio técnico oficial para efectuarle un mantenimiento de servicio. De esta única manera queda garantizado el perfecto funcionamiento y duración de la máquina.

Si el cable de conexión a la red estuviera dañado, deberá ser sustituido en un punto de servicio técnico, para evitar situaciones de peligro.

Solo se deben utilizar accesorios y piezas de repuestos Milwaukee. Piezas cuyo recambio no está descrito en las instrucciones de uso, deben sustituirse en un centro de asistencia técnica Milwaukee (Consulte el folleto Garantía/Direcciones de Centros de Asistencia Técnica).

En caso necesario, puede solicitar un despiece de la herramienta. Por favor indique el número de impreso que hay en la etiqueta y pida el despiece a la siguiente dirección: Techtronic Industries GmbH, Max-Eyth-Straße 10, 71364 Winnenden, Germany.

SÍMBOLOS



¡ATENCIÓN! ¡ADVERTENCIA! ¡PELIGRO!



Desconecte siempre el enchufe antes de llevar a cabo cualquier trabajo en la máquina.



Lea las instrucciones detenidamente antes de conectar la herramienta



Accesorio - No incluido en el equipo estándar, disponible en la gama de accesorios.



Los aparatos eléctricos no se deben eliminar junto con la basura doméstica. Los aparatos eléctricos y electrónicos se deben recoger por separado y se deben entregar a una empresa de reciclaje para una eliminación respetuosa con el medio ambiente. Infórmese en las autoridades locales o en su tienda especializada sobre los centros de reciclaje y puntos de recogida.



Herramienta eléctrica de la clase de protección II. Herramientas eléctricas, en las que la protección contra un choque eléctrico no depende solamente del aislamiento básico sino también de la aplicación de medidas adicionales de protección, como doble aislamiento o aislamiento reforzado. No existe dispositivo para la conexión de un conductor protector.



Marca CE



Regulatory Compliance Mark (RCM). El producto cumple las normas vigentes



certificado EAC de conformidad

CARACTERÍSTICAS TÉCNICAS

	K500 S	K545 S
Número de produção.....	4421 66 01.....	4422 01 01.....
.....	4421 58 01.....	4421 96 01.....
.....	4326 06 01.....	4324 51 01.....
.....	4077 95 01.....	4260 25 01.....
.....	4078 00 01.....	4260 15 01.....
.....	..000001-999999	..000001-999999
Potência absorvida nominal	1300 W.....	1300 W
Potência de saída.....	650 W.....	650 W
Nº de rotações em vazio	300 min ⁻¹	300 min ⁻¹
Velocidade de rotação máxima em carga max.....	300 min ⁻¹	300 min ⁻¹
Frequência de percussão em carga.....	2840 min ⁻¹	2840 min ⁻¹
Força de impacto individual conforme EPTA-Procedure 05/2009	8,5 J	8,5 J
Ø de furo em betão	45 mm	45 mm
Brocas de coroa para tünéis para betão, tijolos e blocos sílico-calcário	65 mm	65 mm
Coroa dentada de perfurar para betão, tijolos e blocos sílico-calcário	100 mm	100 mm
Ø da gola de aperto	66 mm	66 mm
Peso nos termos do procedimento-EPTA 01/2003.....	6,3 kg	6,7 kg

Informações sobre ruído K545 S

Valores de medida de acordo com EN 60 745.

O nível de ruído avaliado A do aparelho é tipicamente:

Nível da pressão de ruído (Incertez K=3dB(A))..... 98,5 dB (A)

Nível da potência de ruído (Incertez K=3dB(A))..... 109,5 dB (A)

Use protectores auriculares!

Informações sobre ruído K500 S

Normalmente o nível de pressão de ruído da

ferramenta é 91 dB (A)

Valor de medição apurado em conformidade com 2005/88/CE junto ao ouvido do utilizador.

2005/88/CE: Procedimento de avaliação da conformidade nos

termos do Anexo VI. Organismo notificado:

VDE Testing and Certification Institute, Merianstr. 28,

63069 Offenbach, Germany

Nível de potência acústica medido 101 dB (A)

Nível de potência acústica garantido 104 dB (A)

Use protectores auriculares!

Informações sobre vibração

Valores totais de vibração (soma dos vectores das três direcções)

determinadas conforme EN 60745.

Furar em betão:

Valor de emissão de vibração a_h.....11,5 m/s²

Incerteza K=..... 1,5 m/s²

Trabalho de ponteira

Valor de emissão de vibração a_h..... 11,5 m/s²..... 9 m/s²

Incerteza K=..... 1,9 m/s²..... 1,9 m/s²

ATENÇÃO

O nível vibratório indicado nestas instruções foi medido em conformidade com um procedimento de medição normalizado na EN 60745 e pode ser utilizado para comparar entre si ferramentas eléctricas. O mesmo é também adequado para avaliar provisoriamente o esforço vibratório.

O nível vibratório indicado representa as principais aplicações da ferramenta eléctrica. Se, no entanto, a ferramenta eléctrica for utilizada para outras aplicações, com outras ferramentas adaptadas ou uma manutenção insuficiente, o nível vibratório poderá divergir. Isto pode aumentar consideravelmente o esforço vibratório ao longo de todo o período do trabalho.

Para uma avaliação exacta do esforço vibratório devem também ser considerados os tempos durante os quais o aparelho está desligado ou está a funcionar, mas não está efectivamente a ser utilizado. Isto pode reduzir consideravelmente o esforço vibratório ao longo de todo o período do trabalho.

Defina medidas de segurança suplementares para proteger o operador do efeito das vibrações, como por exemplo: manutenção da ferramenta eléctrica e das ferramentas adaptadas, manter as mãos quentes, organização das sequências de trabalho.

⚠ ADVERTÊNCIA! Leia todas as instruções de segurança e todas as instruções. O desrespeito das advertências e instruções apresentadas abaixo pode causar choque eléctrico, incêndio e/ou graves lesões. **Guarde bem todas as advertências e instruções para futura referência.**

⚠ INSTRUÇÕES DE SEGURANÇA PARA A MARTELO ROTATIVO

Use uma protecção dos ouvidos ao usar o berbequim de percussão. Os ruídos podem causar surdez.

Sempre use os punhos adicionais fornecidos com o aparelho. A perda de controlo pode causar feridas.

Segure o aparelho nas superfícies de punho isoladas se estiver a executar trabalhos, nos quais a ferramenta de corte pode tocar em linhas eléctricas escondidas ou no próprio cabo. O contacto da

ferramenta de corte com uma linha sob tensão também pode colocar peças metálicas do aparelho sob tensão e levar a um choque eléctrico.

INSTRUÇÕES DE SEGURANÇA E TRABALHO SUPLEMENTARES

Utilizar equipamento de protecção. Durante os trabalhos com a máquina, usar sempre óculos de protecção. Vestuário de protecção, bem como máscara de pó, sapatos fechados e antiderrapante, capacete e protecção auditiva são recomendados.

O pó que resulta ao trabalhar pode ser nocivo para a saúde, por isso não devendo penetrar no corpo. Use uma máscara de protecção contra pó apropriada.

Não devem ser processados materiais que representem um perigo para a saúde (p. ex. asbesto).

Desligue o aparelho imediatamente, quando a ferramenta de inserção bloquear! Não ligue o aparelho novamente durante o bloqueio da

ferramenta de inserção, pois isso pode levar a um recuo repentino com uma alta força reactiva. Verifique e elimine a causa do bloqueio da ferramenta de inserção, observando as instruções de segurança.

Causas possíveis podem ser:

- Emperramento na peça a trabalhar
- Material a processar rompido
- Sobrecarga da ferramenta eléctrica

Não toque na máquina em operação.

A ferramenta de inserção pode ficar quente durante a operação.

ATENÇÃO! Perigo de queimar-se

- na troca das ferramentas
- ao depositar o aparelho

Não remover aparas ou lascas enquanto a máquina trabalha.

Manter sempre o cabo de ligação fora da zona de acção da máquina.

Ao trabalhar em paredes, tectos e soalhos prestar atenção a que não sejam atingidos cabos eléctricos e canalizações de gás e água.

Fixe a peça a trabalhar com um dispositivo de fixação. Peças a trabalhar não fixadas podem levar a feridas graves e danos sérios.

Antes de efectuar qualquer intervenção na máquina, tirar a ficha da tomada.

No caso de grandes diâmetros de furo, o punho adicional tem que ser fixado perpendicularmente ao punho principal. Ver também na parte de imagens, secção "Rodar punho").

UTILIZAÇÃO AUTORIZADA

K545 S: O martelo electro-pneumático tem aplicação universal para trabalhos de furar com percussão e trabalhos de ponteira em pedra e betão.

K500 S: O martelo presta-se a trabalhos de ponteira em pedra e betão.

Não use este produto de outra maneira sem ser a normal para o qual foi concebido.

DECLARAÇÃO DE CONFORMIDADE CE

Declaramos sob responsabilidade exclusiva, que o produto descrito sob „Dados técnicos“ corresponde com todas as disposições relevantes da diretiva 2011/65/EU (RoHS), 2004/108/CE (até 19 Abril 2016), 2014/30/UE (desde 20 Abril 2016), 2006/42/CE e dos seguintes documentos normativos harmonizados.

EN 60745-1:2009 + A11:2010

EN 60745-2-6:2010

EN 55014-1:2006 + A1:2009 + A2:2011

EN 55014-2:1997 + A1:2001 + A2:2008

EN 61000-3-2:2006 + A1:2009 + A2:2009

EN 61000-3-3:2013

EN 50581:2012

Winnenden, 2015-12-11

Alexander Krug
Managing Director



Autorizado a reunir a documentação técnica.

Techtronic Industries GmbH

Max-Eyth-Straße 10

71364 Winnenden

Germany

LIGAÇÃO À REDE

Aparelhos não estacionários, utilizados ao ar livre, devem ser protegidos por um disjuntor de corrente de defeito (FI,RCD,PRCD).

Só conectar à corrente alternada monofásica e só à tensão de rede indicada na placa de potência. A conexão às tomadas de rede sem contacto de segurana também é possível, pois trata-se duma construção da classe de protecção II.

Ao ligar o aspirador à rede, o interruptor deve encontrar-se na posição de desligado.

Este aparelho destina-se à utilização profissional e pode exceder um pouco os valores de orientação para ondas de corrente superiores na conexão à rede pública de baixa tensão. Por isso, eventualmente contacte a sua empresa de abastecimento de energia eléctrica competente antes de conectar o aparelho à rede pública de baixa tensão

MANUTENÇÃO

Manter desobstruídos os rasgos de ventilação na carcaça da máquina.

Se as escovas de carvão estão gastas, adicionalmente à mudança das mesmas e ferramenta deve ser submetida a assistência. Isto irá assegurar longo tempo de vida útil bem como constante prontidão da máquina para o trabalho.

Se o cabo de alimentação eléctrica estiver danificado, este deverá ser substituído junto de um serviço de assistência ao cliente dado, que será necessário utilizar ferramentas especiais.

Utilizar unicamente acessórios e peças sobressalentes da Milwaukee. Sempre que a substituição de um componente não tenha sido descrita nas instruções, será de toda a conveniência mandar executar esse trabalho a um Serviço de Assistência Milwaukee (veja o folheto Garantia/Endereços de Serviços de Assistência).

A pedido e mediante indicação da referência que consta da chapa de características da máquina, pode requerer-se um desenho explosivo da ferramenta eléctrica a: Techtronic Industries GmbH, Max-Eyth-Straße 10, 71364 Winnenden, Germany.

SYMBOLS



ATENÇÃO! PERIGO!



Antes de efectuar qualquer intervenção na máquina, tirar a ficha da tomada.



Leia atentamente o manual de instruções antes de colocar a máquina em funcionamento.



Acessório - Não incluído no equipamento normal, disponível como acessório.



Aparelhos eléctricos não devem ser jogados no lixo doméstico. Aparelhos eléctricos e electrónicos devem ser colectados separadamente e entregues a uma empresa de reciclagem para a eliminação correcta. Solicite informações sobre empresas de reciclagem e postos de colecta de lixo das autoridades locais ou do seu vendedor autorizado.



Ferramenta eléctrica da classe de protecção II. Ferramenta eléctrica, na qual a protecção contra choque eléctrico não só depende do isolamento básico, mas também da aplicação de medidas de protecção suplementares, como isolamento duplo ou reforçado. Não há um dispositivo para a conexão dum condutor de protecção.



Marca CE



Regulatory Compliance Mark (RCM). O produto satisfaz os regulamentos vigentes.



Marca de conformidade EurAsian.

TECHNICKÁ DATA

	K500 S	K545 S
Výrobní číslo.....	4421 66 01....	4422 01 01....
.....	4421 58 01....	4421 96 01....
.....	4326 06 01....	4324 51 01....
.....	4077 95 01....	4260 25 01....
.....	4078 00 01....	4260 15 01....
.....	..000001-999999	..000001-999999
Jmenovitý výkon.....	1300 W.....	1300 W
Odběr.....	650 W.....	650 W
Počet otáček při běhu naprázdno.....	300 min ⁻¹	300 min ⁻¹
Počet otáček při zatížení max.....	300 min ⁻¹	300 min ⁻¹
Počet úderů max.....	2840 min ⁻¹	2840 min ⁻¹
Intenzita jednotlivých úderů podle EPTA-Procedure 05/2009.....	8,5 J.....	8,5 J
Vrtací Ø v betonu.....	45 mm	45 mm
Dutá vrtací korunka do betonu, cihel a vápence.....	65 mm	65 mm
Tunelový vrták do betonu, cihel a vápence.....	100 mm	100 mm
Ø upínacího krčku.....	66 mm.....	66 mm
Hmotnost podle prováděcího předpisu EPTA 01/2003.....	6,3 kg.....	6,7 kg

Informace o hluku K545 S

Naměřené hodnoty odpovídají EN 60 745.

V třídě A posuzovaná hladina hluku přístroje činí typicky:

Hladina akustického tlaku (Kolísavost K=3dB(A)).....	98,5 dB (A)
Hladina akustického výkonu (Kolísavost K=3dB(A)).....	109,5 dB (A)

Používejte chrániče sluchu !**Informace o hluku K500 S**

Typická vážená 91 dB (A)

Naměřená hodnota odpovídá 2005/88/EC u ucha uživatele

2005/88/EC : postup prohlášení o shodě podle přílohy VI. Notifikovaná osoba :

VDE Prüf- und Zertifizierungsinstitut,

Merianstr. 28,

63069 Offenbach, Germany

Naměřená hladina akustického výkonu 101 dB (A)

Zaručená hladina akustického výkonu 104 dB (A)

Používejte chrániče sluchu !**Informace o vibracích**

Celkové hodnoty vibrací (vektorový součet tří směrů) zjištěné ve smyslu EN 60745.

Vrtání v betonu:

Hodnota vibračních emisí a_v..... 11,5 m/s²

Kolísavost K= 1,5 m/s²

Sekání

Hodnota vibračních emisí a_v..... 11,5 m/s² 9 m/s²

Kolísavost K= 1,9 m/s² 1,9 m/s²

VAROVÁNÍ

Úroveň chvění uvedená v tomto návodu byla naměřena podle metody měření stanovené normou EN 60745 a může být použita pro porovnání elektrického nářadí. Hodí se také pro průběžný odhad zatížení chvěním.

Uvedená úroveň chvění představuje hlavní účely použití elektrického nářadí. Jestliže se ale elektrické nářadí používá pro jiné účely, s odlišnými nástroji nebo s nedostatečnou údržbou, může se úroveň chvění odlišovat. To může značně zvýšit zatížení chvěním během celé pracovní doby.

Pro přesný odhad zatížení chvěním se musí také zohlednit časy, během kterých je přístroj vypnutý nebo kdy je sice v chodu, ale skutečně se s ním nepracuje. To může zatížení chvěním během celé pracovní doby značně snížit.

Stanovte doplňková bezpečnostní opatření pro ochranu obsluhy před účinky chvění jako například: technická údržba elektrického nářadí a nástrojů, udržování teploty rukou, organizace pracovních procesů.

⚠ UPOZORNĚNÍ! Přečtěte si všechny bezpečnostní pokyny a návody. Zanedbání při dodržování varovných upozornění a pokynů mohou mít za následek úder elektrickým proudem, požár a/nebo těžká poranění.

Všechna varovná upozornění a pokyny do budoucna uschovejte.

⚠ BEZPEČNOSTNÍ POKYNY PRO VRTACÍ KLADIVA

Při vrtání s přiklepením používejte prostředky k ochraně sluchu. Nadměrný hluk může vést ke ztrátě sluchu.

Používejte doplňková madla dodávaná s přístrojem. Nedostatečným držením by mohlo dojít ke zranění.

Při provádění prací, při kterých nástroj může narazit na skryta elektrická vedení nebo na vlastní kabel, držte přístroj za izolované přídržovací plošky. Kontakt řezného nástroje s

vedením pod napětím může vést k přenosu napětí na kovové části přístroje a k úrazu elektrickým proudem.

DALŠÍ BEZPEČNOSTNÍ A PRACOVNÍ POKYNY

Použijte ochranné vybavení. Při práci s elektrickým nářadím používejte vždy ochranné brýle. Doporučujeme rovněž použití součástí ochranného oděvu a ochranné obuvi, jako protiprašné masky, ochranných rukavic, pevné a nekouzající obuvi, ochranné přilby a ochrany sluchu.

Prach vznikající při práci s tímto nářadím může být zdraví škodlivý. Proto by neměl přijít do styku s tělem. Používejte při práci vhodnou ochranou masku.

Nesmějí se opravovat materiály, které mohou způsobit ohrožení zdraví (např. azbest)

Při zablokování nasazeného nástroje přístroj okamžitě vypněte! Přístroj nezapínejte, pokud je nasazený nástroj zablokovaný; mohl by při tom vzniknout zpětný náraz s vysokým reakčním momentem. Zjistíte příčinu zablokování nasazeného nástroje a odstraňte ji při dodržení bezpečnostních pokynů.

Možnými příčinami mohou být:

- vzpříčení v opracovávaném obrobku
- přelomení opracovávaného materiálu
- přetížení elektrického přístroje

Nezasahujte do běžícího stroje.

Nasazený nástroj se může během používání rozpálit.

VAROVÁNÍ! Nebezpečí popalení.

- při výměně nástroje
- při odkládání přístroje

Pokud stroj běží, nesmí být odstraňovány třísky nebo odštěpky.

Neustále dbát na to, aby byl kabel pro připojení k elektrické síti mimo dosah stroje. Kabel vést vždy směrem dozadu od stroje.

Při vrtání do zdi, stropu nebo podlahy dávat pozor na elektrické kabely, plynová a vodovodní potrubí.

Obrobek zabezpečte upínacím zařízením. Nebezpečné obrobky mohou způsobit těžká poranění a poškození.

Před zahájením veškerých prací na stroji vytáhnout síťovou zástrčku ze zásuvky.

Při vrtání velkými průměry vrtáků musí být přední madlo v poloze kolmé k hlavnímu madlu. Viz. Obrazová část, oddíl "Natočení madla".

OBLAST VYUŽITÍ

K545 S: Vrtací kladivo je univerzálně použitelné k vrtání s přiklepením a sekání do kamene a betonu.

K500 S: Kladivo je použitelné k sekání do kamene a betonu.

Toto zařízení lze používat jen pro uvedený účel.

CE-PROHLÁŠENÍ O SHODĚ

Výhradně na vlastní zodpovědnost prohlašujeme, že se výrobek popsany v „Technických údajích“ shoduje se všemi relevantními předpisy směrnice 2011/65/EU (RoHS), 2004/108/ES (do April 19, 2016), 2014/30/EU (od 20 April 2016), 2006/42/ES a s následujícími harmonizovanými normativními dokumenty:

EN 60745-1:2009 + A11:2010

EN 60745-2-6:2010

EN 55014-1-2:2006 + A1:2009 + A2:2011

EN 55014-2:1997 + A1:2001 + A2:2008

EN 61000-3-2:2006 + A1:2009 + A2:2009

EN 61000-3-3:2013

EN 50581:2012

Winnenden, 2015-12-11

Alexander Krug

Alexander Krug
Managing Director



Zplnomocněn k sestavování technických podkladů.

Techtronic Industries GmbH

Max-Eyth-Straße 10

71364 Winnenden

Germany

PŘIPOJENÍ NA SÍŤ

Ve venkovním prostředí musí být zásuvky vybaveny proudovým chráničem (FI, RCD, PRCD). Je to vyžadováno instalačním předpisem pro toto el.zařízení. Dodržujte ho při používání tohoto nářadí, prosím.

Připojit pouze do jednofázové střídavé sítě o napětí uvedeném na štítku. Lze připojit i do zásuvky bez ochranného kontaktu neboť spotřebič je třídy II.

Přívodní kabel zapojit do zásuvky jen při vypnutém stroji.

Toto je přístroj k profesionálnímu užívání, který může mírně překračovat směrné hodnoty pro harmonické vlny při připojení na veřejnou nízkonapěťovou síť. Kontaktujte proto před připojením přístroje na veřejnou nízkonapěťovou síť svého příslušného dodavatele energie.

ÚDRŽBA

Větrací štěrbinu nářadí udržujeme stále čisté.

Při obroušení uhlíků je nutná jejich výměna v odborném servisu. Zaručuje to i prodloužení životnosti stroje a jeho spolehlivost v provozu.

Dojde-li k poškození přívodního kabelu, nechte jej vyměnit v autorizovaném servisu, protože k výměně je zapotřebí speciální nástroj.

Používejte výhradně náhradní díly a příslušenství Milwaukee. Díly, jejichž výměna nebyla popsána, nechávejte vyměnit v odborném servisu Milwaukee. (Viz záruční list.)

Při potřebě podrobného rozkresu konstrukce, oslovte informací o typu a čísle přímo servis a nebo výrobce, Techtronic Industries GmbH, Max-Eyth-Straße 10, 71364 Winnenden, Germany.

SYMBOLY

POZOR! VAROVÁNÍ! NEBEZPEČÍ!



Před zahájením veškerých prací na stroji vytáhnout síťovou zástrčku ze zásuvky.



Před spuštěním stroje si pečlivě přečtěte návod k používání.



Příslušenství není součástí dodávky, viz program příslušenství.



Elektrické přístroje se nesmí likvidovat společně s odpadem z domácností. Elektrické a elektronické přístroje je třeba sbírat odděleně a odevzdat je v recyklačním podniku na ekologickou likvidaci. Na místních úřadech nebo u vašeho specializovaného prodejce se informujte na recyklační podniky a sběrné dvory.



Elektrický přístroj s třídou ochrany II. Elektrický přístroj, u kterého ochrana před zásahem el. proudem závisí nejen na základní izolaci, ale i na tom, že budou použita také doplňková ochranná opatření, jakými jsou dvojitá izolace nebo zesílená izolace. Neexistuje žádné zařízení pro připojení ochranného vodiče.



Značka CE



Regulatory Compliance Mark (RCM). Produkt splňuje platné předpisy.



Euroasijská značka shody

TECHNICKÉ ÚDAJE	K500 S	K545 S
Výrobné číslo.....	4421 66 01....	4422 01 01....
.....	4421 58 01....	4421 96 01....
.....	4326 06 01....	4324 51 01....
.....	4077 95 01....	4260 25 01....
.....	4078 00 01....	4260 15 01....
.....	000001-999999	000001-999999
Menovitý príkon	1300 W	1300 W
Výkon.....	650 W	650 W
Otáčky naprázdno	300 min ⁻¹	300 min ⁻¹
Max. otáčky pri záťaži.....	300 min ⁻¹	300 min ⁻¹
Max. počet úderov pri záťaži.....	2840 min ⁻¹	2840 min ⁻¹
Intenzita jednotlivých prvkopov podľa EPTAProcedure 05/2009	8,5 J	8,5 J
Priemer vrtu do betónu	45 mm	45 mm
Tunelový vrták do betónu, tehly a vápencového pieskovca.....	65 mm	65 mm
Jadrová vŕtacia hlavica do betónu, tehly a vápencového pieskovca.....	100 mm	100 mm
Priemer upínacieho hrdla	66 mm	66 mm
Hmotnosť podľa vykonávacieho predpisu EPTA 01/2003	6,3 kg	6,7 kg

Informácia o hluku K545 S
Namerané hodnoty určené v súlade s EN 60 745.
V triede A posudzovaná hladina hluku prístroja činí typicky:
Hladina akustického tlaku (Kolísavosť K=3dB(A))..... 98,5 dB (A)
Hladina akustického výkonu (Kolísavosť K=3dB(A))..... 109,5 dB (A)

Používajte ochranu sluchu!
Informácia o hluku K500 S
A-ohodnotená hladina akustického tlaku prístroja činí..... 91 dB (A)
Nameraná hodnota určená v súlade s 2005/88/ES pri uchu užívateľa.
2005/88/ES: Postup hodnotenia konformity podľa prílohy VI.
Označený orgán: VDE Prüf- und Zertifizierungsinstitut (Skúšobný a certifikačný ústav), Merianstr. 28, 63069 Offenbach, Nemecko
Nameraná hladina akustického výkonu..... 101 dB (A)
Garantovaná hladina akustického výkonu..... 104 dB (A)

Používajte ochranu sluchu!
Informácie o vibráciách
Celkové hodnoty vibrácií (vektorový súčet troch smerov) zistených zmysle EN 60745.
Vŕtanie do betónu:
Hodnota vibračných emisií a_h.....11,5 m/s²
Kolísavosť K=..... 1,5 m/s²
Osekávanie
Hodnota vibračných emisií a_h.....11,5 m/s²
Kolísavosť K=..... 1,9 m/s²
Kolísavosť K=..... 1,9 m/s²

POZOR
Úroveň vibrácií uvedená v týchto pokynoch bola nameraná meracou metódou, ktorú stanovuje norma EN 60745 a je možné ju použiť na vzájomné porovnanie elektrického náradia. Hodí sa aj na predbežné posúdenie kmitavého namáhania.
Uvedená úroveň vibrácií reprezentuje hlavné aplikácie elektrického náradia. Ak sa však elektrické náradie používa pre iné aplikácie, s odlišnými vloženými nástrojmi alebo s nedostatočnou údržbou, môže sa úroveň vibrácií líšiť. Toto môže kmitavé namáhanie v priebehu celej pracovnej doby podstatne zvýšiť.
Pre presný odhad kmitavého namáhania by sa mali tiež zohľadniť doby, v ktorých je náradie vypnuté alebo je sice v chode, ale v skutočnosti sa nepoužíva. Toto môže kmitavé namáhanie v priebehu celej pracovnej doby zreteľne redukovať.
Stanovte dodatočné bezpečnostné opatrenia pre ochranu obsluhy pred účinkami vibrácií, ako napríklad: údržba elektrického náradia a vložených nástrojov, udržiavanie teploty rúk, organizácia pracovných postupov.

⚠ UPOZORNENIE! Prečítajte si všetky bezpečnostné pokyny a návody. Zanedbanie dodržiavania Výstražných upozornení a pokynov uvedených v nasledujúcom texte môže mať za následok zásah elektrickým prúdom, spôsobiť požiar a/alebo ťažké poranenie.
Tieto Výstražné upozornenia a bezpečnostné pokyny starostlivo uschovajte na budúce použitie.

⚠ BEZPEČNOSTNÉ POKYNY PRE VŕTACIE KLDIVO
Pri vŕtaní s príklepom používajte prostriedky k ochrane sluchu. Nadmerný hluk môže viesť k strate sluchu.
Používajte prídavné rukoväte dodané spolu s prístrojom. Strata kontroly nad strojom môže viesť k zraneniu.
Pri realizovaní prác, pri ktorých nástroj môže naraziť na skryté elektrické vedenia alebo na vlastný kábel, držte prístroj za izolované pridrôzovacie plochy. Kontakt rezného nástroja s

vedením pod napätím môže viesť k prenosu napätia na kovové časti prístroja a k úrazu elektrickým prúdom.

ĎALŠIE BEZPEČNOSTNÉ A PRACOVNÉ POKYNY
Použite ochranné vybavenie. Pri práci s elektrickým náradím používajte vždy ochranné okuliare. Doporučujeme taktiež použiť súčasť ochranného odevu a ochranné obuvi, ako sú protipašná maska, ochranné rukavice, pevná a nekľajúca obuv, ochranná prilba a ochrana sluchu.
Prach vznikajúci pri práci môže byť škodlivý zdraviu. Pri práci nosiť vhodnú ochrannú masku, aby sa nedostal do ľudského organizmu.
Nesmú sa opracovávať materiály, ktoré môžu spôsobiť ohrozenie zdravia (napr. azbest)
Pri zablokovaní nasadeného nástroja prístroj okamžite vypnite! Prístroj nezapínajte, pokiaľ je nasadený nástroj zablokovaný; mohol by pri tom vzniknúť spätný náraz s vysokým reakčným

momentom. Príčinu zablokovania nasadeného nástroja zistite a odstráňte so zohľadnením bezpečnostných pokynov.
Možnými príčinami môžu byť:
• spriečenie v opracovávanom obrobu
• prelomenie opracovávaného materiálu
• preťaženie elektrického prístroja
Nezasahujte do bežiaceho stroja.
Nasadený nástroj sa počas používania môže rozhorúčiť.
POZOR! Nebezpečenstvo popálenia
• pri výmene nástroja
• pri odkladaní prístroja


Triisky alebo úlomky sa nesmú odstraňovať za chodu stroja. Prípojovací kábel držte mimo pracovnej oblasti stroja. Kábel smerujte vždy smerom dozadu od stroja.
Pri práci v stene, strope alebo v podlahe dávajte pozor na elektrické káble, plynové a vodovodné potrubia.
Obrobok zabezpečte upínacím zariadením. Nebezpečné obroby môžu spôsobiť ťažké poranenia a poškodenia.
Pred každou prácou na stroji vyťahnite zástrčku zo zásuvky.
Pri veľkých priemeroch vŕtania musí byť prídavná rukoväť upevnená kolmo na hlavnú rukoväť. Vid' obrazovú časť, odsek "pootočiť rukoväť".

POUŽITIE PODĽA PREDPISOV

K545 S: Vŕtacie kladivo je univerzálne použiteľné na sekание a osekávanie kameňa a betónu.
K500 S: Kladivo je určené na osekávanie kameňa a betónu
Tento prístroj sa smie používať len v súlade s uvedenými predpismi.

CE - VYHLÁSENIE KONFORMITY

Výhradne na vlastnú zodpovednosť vyhlasujeme, že výrobok popísaný v „Technických údajoch“ sa zhoduje so všetkými relevantnými predpismi smernice 2011/65/EU (RoHS), 2004/108/ES (do April 19, 2016), 2014/30/EU (od 20 April 2016), 2006/42/EC a nasledujúcimi harmonizujúcimi normatívnymi dokumentmi:
EN 60745-1:2009 + A1:2010
EN 60745-2-6:2010
EN 55014-1:2006 + A1:2009 + A2:2011
EN 55014-2:1997 + A1:2001 + A2:2008
EN 61000-3-2:2006 + A1:2009 + A2:2009
EN 61000-3-3:2013
EN 50581:2012

Winnenden, 2015-12-11

Alexander Krug
Managing Director
Splnomocnený zostaviť technické podklady.
Techtronic Industries GmbH
Max-Eyth-Straße 10
71364 Winnenden
Germany



SIETOVÁ PŘIPOJKA










Zásuvky vo vonkajšom prostredí musia byť vybavené ochranným spínačom proti prudovému nárazom (FI, RCD, PRCD). Toto je inštalčný predpis na Vaše elektrické zariadenie. Venujte prosím tomuto pozornost' pri používaní nášho prístroja.
Pripájať len na jednofázový striedavý prúd a na sieťové napätie uvedené na štítku. Pripojenie je možné aj do zásuviek bez ochranného kontaktu, pretože ide o konštrukciu ochrannej triedy II.
Do zásuvky pripájať len vypnutý prístroj.
Tento prístroj je určený na profesionálne použitie a môže orientačne hodnoty špičkového prúdu pri pripojení na verejnú rozvodnú sieť nepatrne prekročiť. Preto sa pred jeho pripojením

na verejnú rozvodnú sieť spojte so svojim elektrozásobovacím podnikom.

ÚDRŽBA

Vetracie otvory udržiavať stále v čistote.
Pri opotrebovaných uhlikových kefách by sa mala vykonať okrem výmeny uhlikových kef v zákazníckom centre aj prehliadka prístroja. Toto predlžuje životnosť prístroja a zaručuje stálu funkčnosť.
Aj dôjde k poškodeniu prívodného kábla, nechajte ho vymeniť v autorizovanom servise, pretože k výmene je potrebný špeciálny nástroj.
Používať len Milwaukee príslušenstvo a náhradné diely. Súčasti bez návodu na výmenu treba dať vymeniť v jednom z Milwaukee zákazníckych centier (vid' brožúru Záruka/Adresy zákazníckych centier).
Pri udaní typu stroja a čísla nachádzajúceho sa na štítku dá sa v prípade potreby vyžiadať explozivna schéma prístroja od vášho zákazníckeho centra alebo priamo v Techtronic Industries GmbH, Max-Eyth-Straße 10, 71364 Winnenden, Germany.

SYMBOLY

	POZOR! NEBEZPEČENSTVO!
	Pred každou prácou na stroji vyťahnite zástrčku zo zásuvky.
	Pred prvým použitím prístroja si pozorne prečítajte návod na obsluhu.
	Príslušenstvo - nie je súčasťou štandardnej výbavy, odporúčané doplnenie z programu príslušenstva.
	Elektrické prístroje sa nesmú likvidovať spolu s odpadom z domácností. Elektrické a elektronické prístroje treba zbierať oddelene a odovzdať ich v recyklačnom podniku na ekologickú likvidáciu. Na miestnych úradoch alebo u vášho špecializovaného predajcu sa spýtajte na recyklačné podniky a zberné dvory.
	Elektrický prístroj triedy ochrany II. Elektrický prístroj, pri ktorom ochrana pred zásahom el. prúdom závisí nie len od základnej izolácie, ale aj od toho, že budú použité aj doplnkové ochranné opatrenia, akými sú dvojité izolácia alebo zosilnená izolácia. Neexistuje žiadne zariadenie na pripojenie ochranného vodiča.
	Značka CE
	Regulatory Compliance Mark (RCM). Produkt splňa platné predpisy.
	Euroázijská značka zhody

DANE TECHNICZNE

	K500 S	K545 S
Numer produkcyjny.....	4421 66 01... 4421 58 01... 4326 06 01... 4077 95 01... 4078 00 01... ..000001-999999	4422 01 01... 4421 96 01... 4324 51 01... 4260 25 01... 4260 15 01... ..000001-999999
Znamionowa moc wyjściowa.....	1300 W	1300 W
Moc wyjściowa.....	650 W	650 W
Prędkość bez obciążenia.....	300 min ⁻¹	300 min ⁻¹
Maksymalna prędkość obrotowa pod obciążeniem.....	300 min ⁻¹	300 min ⁻¹
Częstotliwość udaru przy obciążeniu maks.....	2840 min ⁻¹	2840 min ⁻¹
Energia udaru zgodna z EPTA/Procedure 05/2009.....	8,5 J	8,5 J
Zdolność wiercenia w betonie.....	45 mm	45 mm
Wiertło rurowe do betonu, cegiel i kamienia wapiennego.....	65 mm	65 mm
Koronka rdzeniowa do betonu, cegiel i kamienia wapiennego.....	100 mm	100 mm
Średnica szyski uchwytu.....	66 mm	66 mm
Ciężar wg procedury EPTA 01/2003.....	6,3 kg	6,7 kg

Informacja dotycząca szumów K545 S

Zmierzone wartości wyznaczono zgodnie z normą EN 60 745.

Poziom szumów urządzenia oszacowany jako A wynosi typowo:

Poziom ciśnienia akustycznego (Niepewność K=3dB(A)).....	98,5 dB (A)
Poziom mocy akustycznej (Niepewność K=3dB(A)).....	109,5 dB (A)

Należy używać ochroniaczy uszu!

Informacja dotycząca szumów K500 S

Typowy poziom ciśnienia akustycznego mierzony wg krzywej A:

Zmierzone wartości wyznaczono zgodnie z 2005/88/WE przy uchu użytkownika.....

Zmierzone wartości wyznaczono zgodnie z 2005/88/WE przy uchu użytkownika.....	91 dB (A)
---	-----------

2005/88/WE: Procedura oceny zgodności według Załącznika VI.

Organ powiadamiany:

VDE Testing and Certification Institute, Merianstr. 28, 63069 Offenbach, Niemcy	
Zmierzony poziom mocy akustycznej.....	101 dB (A)
Gwarantowany poziom mocy akustycznej.....	104 dB (A)

Należy używać ochroniaczy uszu!

Informacje dotyczące wibracji

Wartości łączne drgań (suma wektorowa trzech kierunków) wyznaczone zgodnie z normą EN 60745

Wiercenie w betonie:	
Wartość emisji drgań a _h	11,5 m/s ²
Niepewność K=.....	1,5 m/s ²
Dłutowanie:	
Wartość emisji drgań a _h	11,5 m/s ²
Niepewność K=.....	1,9 m/s ²

OSTRZEŻENIE

Podany w niniejszych instrukcjach poziom drgań został zmierzony za pomocą metody pomiarowej zgodnej z normą EN 60745 i może być użyty do porównania ze sobą elektronarzędzi. Nadaje się on również do tymczasowej oceny obciążenia wibracyjnego.

Podany poziom drgań reprezentuje główne zastosowania elektronarzędzia. Jeśli jednakże elektronarzędzie użyte zostanie do innych celów z innymi narzędziami roboczymi lub nie jest dostatecznie konserwowane, wtedy poziom drgań może wykazywać odchylenia. Może to wyraźnie zwiększyć obciążenie wibracjami przez cały okres pracy.

Dla dokładnego określenia obciążenia wibracjami należy uwzględnić również czasy, w których urządzenie jest wyłączone względnie jest włączone, lecz w rzeczywistości nie pracuje. Może to spowodować wyraźną redukcję obciążenia wibracyjnego w całym okresie pracy.

Należy wprowadzić dodatkowe środki zapobiegawcze celem ochrony obsługującego przed oddziaływaniem drgań, jak na przykład: konserwacja narzędzi roboczych i elektronarzędzi, nagrzanie rąk, organizacja przebiegu pracy.

OSTRZEŻENIE! Należy przeczytać wszystkie wskazówki dotyczące bezpieczeństwa i instrukcje. Błędy w przestrzeganiu poniższych wskazówek mogą spowodować porażenie prądem, pożar i/lub ciężkie obrażenia ciała. Należy starannie przechowywać wszystkie przepisy i wskazówki bezpieczeństwa dla dalszego zastosowania.

WSKAZÓWKI BEZPIECZEŃSTWA DLA MŁOTKOWIERTARKA

Do wiercenia udarowego należy zakładać ochronniki słuchu. Hałas może powodować utratę słuchu.

Stosować uchwyty pomocnicze dostarczone z narzędziem. Utrata kontroli może spowodować obrażenia.

Trzymaj urządzenie za izolowane powierzchnie chwytnie gdy wykonujesz roboty, w trakcie których narzędzie skrawające może natrafić na ukryte przewody prądowe lub na własny kabel. Styczność narzędzia skrawającego z będącym pod napięciem przewodem może

spowodować podłączenie części metalowych urządzenia do napięcia i prowadzić do porażenia prądem elektrycznym.

DODATKOWE WSKAZÓWKI BEZPIECZEŃSTWA I INSTRUKCJE

Stosować wyposażenie ochronne. Przy pracy maszyną zawsze nosić okulary ochronne. Zalecana jest odzież ochronna, jak maska pyłochronna, rękawice ochronne, mocne i chroniące przed poślizgiem obuwie, kask i ochronniki słuchu.

Kurz powstający przy pracy z tym elektronarzędziem może być szkodliwy dla zdrowia, w związku z tym nie powinien dotrzeć do ciała. Nosić odpowiednią maskę przeciwpyłową.

Nie wolno obrabiać materiałów, które mogą być przyczyną zagrożenia zdrowia (na przykład azbestu).

W przypadku zablokowania narzędzia nasazanego należy natychmiast wyłączyć urządzenie! Nie należy ponownie włączać urządzenia tak długo,

jak długo narzędzie nasadzone jest zablokowane; przy tym mógłby powstać odrzut zwrotny o dużym momencie reakcyjnym. Należy wykręcić i usunąć przyczynę zablokowania narzędzia nasazanego uwzględniając wskazówki dotyczące bezpieczeństwa.

Możliwymi przyczynami tego mogą być:

- Słabe ustawienie się w poddawany obróbcie przedmiocie obrabianym
- Przerwanie materiału poddawanego obróbcie
- Przeciążenie narzędzia elektrycznego

Nie należy sięgać do wnętrza maszyny będącej w ruchu.

Narzędzie nasadzone może w trakcie użytkowania stać się gorące.

OSTRZEŻENIE! Niebezpieczeństwo oparzenia się

- przy wymianie narzędzia
- przy odstawianiu urządzenia

Podczas pracy elektronarzędzia nie wolno usuwać trocin ani drzazg.

Kabel zasilający nie może znajdować się w obszarze roboczym elektronarzędzia. Powinien on się zawsze znajdować się za operatorem.

Podczas pracy przy ścianach, sufitach i podłodze należy uważać na kable elektryczne, przewody gazowe i wodociągowe.

Należy zabezpieczyć przedmiot poddawany obróbcie za pomocą urządzenia mocującego. Niezabezpieczone przedmioty poddawane obróbcie mogą spowodować ciężkie obrażenia ciała i uszkodzenia.

Przed przystąpieniem do jakichkolwiek prac związanych z elektronarzędziem należy wyjąć wtyczkę z gniazdka.

Przy pracy z wiertłami o dużych średnicach uchwyt pomocniczy należy zamocować pod kątem prostym w stosunku do uchwytu głównego (patrz ilustracje, rozdział "Obrót uchwytu").

WARUNKI UŻYTKOWANIA

K545 S: Młot pneumatyczny do uniwersalnych zastosowań przy wierceniu udarowym i dłutowaniu i betonu.

K500 S: Młot do dłutowania i prac wyburzeniowych

Produkt można użytkować wyłącznie zgodnie z jego normalnym przeznaczeniem.

DEKLARACJA ZGODNOŚCI CE

Oświadczamy na naszą wyłączną odpowiedzialność, że produkt opisany w punkcie „Dane techniczne” jest zgodny ze wszystkimi istotnymi przepisami Dyrektywy 2011/65/EU (RoHS), 2004/108/WE (do April 19, 2016), 2014/30/UE (od 20 April 2016), 2006/42/WE oraz z następującymi zharmonizowanymi dokumentami normatywnymi:

EN 60745-1:2009 + A11:2010
EN 60745-2-6:2010
EN 55014-1:2006 + A1:2009 + A2:2011
EN 55014-2:1997 + A1:2001 + A2:2008
EN 61000-3-2:2006 + A1:2009 + A2:2009
EN 61000-3-3:2013
EN 50581:2012

Winnenden, 2015-12-11

Alexander Krug
Managing Director

Pełnomocnikowi do zestawienia danych technicznych

Techtronic Industries GmbH
Max-Eyth-Straße 10
71364 Winnenden
Germany

PODŁĄCZENIE DO SIECI

Urządzenia pracujące w wielu różnych miejscach, w tym poza pomieszczeniami zamkniętymi, należy podłączyć poprzez ochronny (FI, RCD, PRCD) wyłącznik udarowy.

Podłączyć tylko do źródła zasilania prądem zmiennym jednofazowym i wyłącznie o napięciu podanym na tabliczce znamionowej. Możliwe jest również podłączenie do gniazdka bez uziemienia, ponieważ konstrukcja odpowiada II klasie bezpieczeństwa.

Przed włożeniem wtyczki do gniazdka upewnić się, czy urządzenie jest wyłączone.

Jest to urządzenie do użytku profesjonalnego, które w przypadku podłączenia do publicznej sieci niskiego napięcia może przekroczyć wskaźniki wyższych harmonicznych prądowych. Dlatego też przed podłączeniem do publicznej sieci niskiego napięcia należy skontaktować się, w razie potrzeby, z właściwym przedsiębiorstwem energetycznym.

UTRZYMANIE I KONSERWACJA

Otwory wentylacyjne elektronarzędzia muszą być zawsze drożne.

Ważne! W przypadku zużycia szczotek węglowych po ich wymianie elektronarzędzie należy przekazać do serwisu obsługi posprzedażnej. Zapewni to długi okres użytkowania i maksymalne osiągi elektronarzędzia.

Jeżeli kabel zasilania sieciowego jest uszkodzony, musi on być wymieniony przez serwis naprawczy, ponieważ niezbędne jest specjalne narzędzie.

Należy stosować wyłącznie wyposażenie dodatkowe i części zamienne Milwaukee. W przypadku konieczności wymiany części, dla których nie podano opisu, należy skontaktować się z przedstawicielami serwisu Milwaukee (patrz lista punktów obsługi gwarancyjnej/servisowej).

Na życzenie można otrzymać rysunek widoku zespołu rozebranego. Przy zamawianiu należy podać numer oraz typ elektronarzędzia umieszczony na tabliczce znamionowej. Zamówienia można dokonać albo u lokalnych przedstawicieli serwisu, albo bezpośrednio w Techtronic Industries GmbH, Max-Eyth-Straße 10, 71364 Winnenden, Germany.

SYMBOLY



UWAGA! OSTRZEŻENIE NIEBEZPIECZEŃSTWO!



Przed przystąpieniem do jakichkolwiek prac związanych z elektronarzędziem należy wyjąć wtyczkę z gniazdka.



Przed uruchomieniem elektronarzędzia zapoznać się uważnie z treścią instrukcji.



Wyposażenie dodatkowe dostępne osobno.



Urządzenia elektryczne nie mogą być usuwane razem z odpadami pochodzącymi z gospodarstw domowych.

Urządzenia elektryczne i elektroniczne należy gromadzić oddzielnie i w celu usuwania ich do odpadów zgodnie z wymaganiami środowiska naturalnego oddawać do przedsiębiorstwa utylizacyjnego.

Proszę zasięgnąć informacji o centrach recyklingowych i punktach zbiorczych u władz lokalnych lub u wyspecjalizowanego dostawcy.



Elektronarzędzie klasy ochrony II. Elektronarzędzie, w którym zabezpieczenie przed porażeniem prądem zależy nie tylko od izolacji podstawowej, lecz również od tego, czy zostały zastosowane dodatkowe środki ochrony, takie jak: izolacja podwójna lub izolacja wzmożona. Nie ma żadnego urządzenia do podłączenia przewodu ochronnego.



Znak CE



Regulatory Compliance Mark (RCM). Produkt spełnia obowiązujące przepisy.



Znak zgodności Eurasian

MŰSZAKI ADATOK	K500 S	K545 S
Gyártási szám.....	4421 66 01.....	4422 01 01.....
.....	4421 58 01.....	4421 96 01.....
.....	4326 06 01.....	4324 51 01.....
.....	4077 95 01.....	4260 25 01.....
.....	4078 00 01.....	4260 15 01.....
.....	..000001-999999	..000001-999999
Névlages teljesítményfelvétel.....	1300 W.....	1300 W.....
Leadott teljesítmény.....	650 W.....	650 W.....
Üresjárat fordulatszám.....	300 min ⁻¹	300 min ⁻¹
Fordulatszám terhelés alatt max.....	300 min ⁻¹	300 min ⁻¹
Útészmám terhelés alatt max.....	2840 min ⁻¹	2840 min ⁻¹
Egyedi ütéerő az „EPTAProcedure 05/2009” (2009/05 EPTA-eljárás) szerint.....	8,5 J.....	8,5 J.....
Furat-ø betonba.....	45 mm.....	45 mm.....
Áttörő fúró betonhoz, téglaóhoz és mészkőhöz.....	65 mm.....	65 mm.....
Fúrókorona betonhoz, téglaóhoz és mészkőhöz.....	100 mm.....	100 mm.....
Feszítőnyak-ø.....	66 mm.....	66 mm.....
Súly a 01/2003 EPTA-eljárás szerint.....	6,3 kg.....	6,7 kg.....

Zajinformáció K545 S

A közölt értékek megfelelnek az EN 60 745 szabványnak.

A készülék munkahelyi zajszintje tipikusan:

Hangnyomás szint (K bizonytalanság=3dB(A))..... 98,5 dB (A)

Hangteljesítmény szint (K bizonytalanság=3dB(A))..... 109,5 dB (A)

Hallásvédő eszköz használata ajánlott!

Zajinformáció K500 S

Szabvány szerinti A-értékelésű hangszint:..... 91 dB (A)

Paraméterek meghatározása a 2005/88/EK szerint a felhasználó fülénél.

2005/88/EK: Megfelelés meghatározása a VI. Melléklet szerint.

Megjelölt intézet:

VDE Testing and Certification Institute, Merianstr. 28,

63069 Offenbach, Németország

Mért hangteljesítményszint..... 101 dB (A)

Szavartolt hangteljesítményszint..... 104 dB (A)

Hallásvédő eszköz használata ajánlott!

Vibráció-információk

Összesített rezgésértékek (három irány vektorális összeg az EN

60745-nek megfelelően meghatározva.

Ütvefúráshoz betonba:

ah rezgésemisszió érték.....11,5 m/s²

K bizonytalanság..... 1,5 m/s²

Vésés

ah rezgésemisszió érték.....11,5 m/s²..... 9 m/s²

K bizonytalanság..... 1,9 m/s²..... 1,9 m/s²

FIGYELMEZTETÉS

A jelen utasításokban megadott rezgésszint értéke az EN 60745-ben szabályozott mérési eljárásnak megfelelően került lemérésre, és használható elektromos szerszámokkal történő összehasonlításhoz. Az érték alkalmas a rezgésterhelés előzetes megbecsülésére is.

A megadott rezgésszint-érték az elektromos szerszám legfőbb alkalmazásait reprezentálja. Ha az elektromos szerszámot azonban más alkalmazásokhoz, eltérő használt szerszámokkal vagy nem elegendő karbantartással használják, a rezgésszint értékek eltérő lehet. Ez jelentősen megnövelheti a rezgésterhelést a munkavégzés teljes időtartama alatt.

A rezgésterhelés pontos megbecsüléséhez azokat az időket is figyelembe kell venni, melyekben a készülék lekapcsolódik, vagy ugyan működik, azonban ténylegesen nincs használatban. Ez jelentősen csökkentheti a rezgésterhelést a munkavégzés teljes időtartama alatt.

Határozzon meg további biztonsági intézkedéseket a kezelő védelmére a rezgések hatása ellen, például: az elektromos és a használt szerszámok karbantartásával, a kezek meleg tartásával, a munkafolyamatok megszervezésével.

⚠ FIGYELMEZTETÉS! Olvasson el minden biztonsági útmutatót és utasítást. A következőkben leírt előírások betartásának elmulasztása áramütésekhez, tűzhöz és/vagy súlyos testi sérülésekhez vezethet. Kérjük a későbbi használatra gondosan őrizze meg ezeket az előírásokat.

⚠ BIZTONSÁGI ÚTMUTATÁSOK FŰRŐKALAPÁCS

Ütvefúráskor viseljen hallásvédőt. A zaj hatása hallásvesztést okozhat.

Használja a készülékkel együtt szállított kézfogánytűkát. A készülék fölötti ellenőrzés elvezetése sérüléseket okozhat.

A készüléket a szigetelt markolatfelületeket fogva tartsa, ha olyan munkálatokat végez, melyeknél a vágószerszám rejtett elektromos vezetékbe vagy saját vezetékbe ütődhet. A vágószerszám feszültségvezető vezetékkel való érintkezésekor a

készülék fém részei is feszültség alá kerülhetnek, és elektromos áramütés következhet be.

TOVÁBBI BIZTONSÁGI ÉS MUNKAVÉGZÉSI UTASÍTÁSOK

Használjon védőfelszerelést! Ha a gépen dolgozik, mindig hordjon védőszemüveget! Javasoljuk a védőruházat, úgymint porvédő maszk, védőcipő, erős és csúszásbiztos lábbeli, sisak és hallásvédő használatát.

A munka során keletkező por gyakran egészségre káros, ezért ne kerüljön a szervezetbe.

Hordjon e célra alkalmas porvédőmaszkot.

Nem szabad olyan anyagokat megmunkálni, amelyek egészségre veszélyesek (pl. azbesztet).

A betétszerszám elakadásakor azonnal ki kell kapcsolni a készüléket! Addig ne kapcsolja vissza a készüléket, amíg a betétszerszám elakadása fennáll; ennek során nagy ellennyomatékú visszarúgás

történhet. Határozza és szüntesse meg a betétszerszám elakadásának okát a biztonsági útmutatások betartása mellett.

Ennek következők lehetnek az okai:

- a szerszám elakad a megmunkálandó munkadarabban
- a megmunkálandó anyag átszakadt
- az elektromos szerszám túlterhelése

Ne nyúljon a járó gépbe.

A betétszerszám az alkalmazás során felforrósodhat.

FIGYELMEZTETÉS! Égési sérülések veszélye

- szerszámcserekor
- a készülék lerakásakor

A munka közben keletkezett forgácsokat, szilkánkokat, törmelékét, stb. csak a készülék teljes leállása után szabad a munkaterületről eltávolítani.

Munka közben a hálózati csatlakozókábelt a sérülés elkerülése érdekében a munkaterületől, illetve a készüléktől távol kell tartani.

Falban, földemben, aljzatban történő fúrásnál fokozottan ügyelni kell az elektromos-, víz- és gázvezetékekre.

Biztosítsa a munkadarabot befogó szerkezettel. A nem biztosított munkadarabok súlyos sérüléseket és károkat okozhatnak.

Bármilyen jellegű karbantartás vagy javítás előtt a készüléket áramtalanítani kell.

Ha nagy átmérőjű fúróval dolgozik a segédfogantyút a megfelelő szögbe kell állítani a főfogantyúhoz viszonyítva. (Lásd az illusztrációk fejezetben: "a fogantyú beállítás").

RENDELTESSZERŰ HASZNÁLAT

K545 S: A fűrókalapács általánosan használható útvefúráshoz, közetekbe történő véséshez és betonban.

K500 S: A bontókalapács használható közetekbe történő véséshez és betonban.

A készüléket kizárólag az alábbiakban leírtaknak megfelelően szabad használni.

CE-AZONOSSÁGI NYILATKOZAT

Egyedüli felelősséggel kijelentjük, hogy a „Műszaki Adatok” alatt leírt termék a 2011/65/EU (RoHS), 2004/108/EK (do April 19, 2016), 2014/30/EU (da 20 April 2016), 2006/42/EK irányelvek minden releváns előírásának, ill. az alábbi harmonizált normatív dokumentumoknak megfelel:

EN 60745-1:2009 + A11:2010

EN 60745-2-6:2010

EN 55014-1:2006 + A1:2009 + A2:2011

EN 55014-2:1997 + A1:2001 + A2:2008

EN 61000-3-2:2006 + A1:2009 + A2:2009

EN 61000-3-3:2013

EN 50581:2012

Winnenden, 2015-12-11



Alexander Krug
Managing Director

Műszaki dokumentáció összeállításra felhatalmazva

Techtronic Industries GmbH

Max-Eyth-Straße 10

71364 Winnenden

Germany

HÁLÓZATI CSATLAKOZTATÁS

Szabadban a dugóját hibaáram-védőkapcsolóval kell ellátni. Az elektromos készülékek üzembelhelyezési útmutatása ezt kötelezően előírja (FI, RCD, PRCD). Ügyeljen erre az elektromos készszerszámok használatakor is.

A készüléket csak egyfázisú váltóáramra és a teljesítménytáblán megadott hálózati feszültségre csatlakoztassa. A csatlakoztatás védőérintkező nélküli dugaszolóaljzatokra is lehetséges, mivel a készülék felépítése II. védettségű osztályú.

Mielőtt áram alá helyezi a gépet, győződjön meg róla, hogy a gép ki van kapcsolva.

Ez egy professzionális használatra szánt készülék, amely az áram felharmonikusokra vonatkozó irányértékeket a kisfeszültségű nyilvános hálózathoz való csatlakozásnál kismértékben túllépheti. A készülék kisfeszültségű nyilvános hálózathoz való csatlakoztatása előtt ezért adott esetben vegye fel a kapcsolatot illetékes energiaszolgáltató vállalatával.

KARBANTARTÁS

A készülék szellőzőnyílásait mindig tisztán kell tartani.

Az elhasználódott szénkéféket az illetékes márkaszervizzel haladéktalanul kell kicseréltetni, így jelentősen megnövelhető a készülék élettartama és garantált a folyamatos üzemkész állapot.

Ha a hálózati csatlakozóvezeték megsérült, akkor azt ügyfélszolgálat hely által kell kicseréltetni, mert ahhoz speciális szerszám szükséges.

Javításhoz, karbantartáshoz kizárólag Milwaukee alkatrészeket és tartozékokat szabad használni. A készülék azon részeinek cseréjét, amit a kezelési útmutató nem engedélyez, kizárólag a javításra feljogosított márkaszerviz végezheti. (Lásd a szervizlistát)

Szükség esetén a készülékek robbantott ábráját - a készülék típusa és azonosító száma alapján a területileg illetékes Milwaukee márkaszerviztől vagy közvetlenül a gyártótól (Techtronic Industries GmbH, Max-Eyth-Straße 10, 71364 Winnenden, Germany) lehet kérni.

SZIMBÓLUMOK



FIGYELEM! FIGYELMEZTETÉS! VESZÉLY!



Bármilyen jellegű karbantartás vagy javítás előtt a készüléket áramtalanítani kell.



Kérjük alaposan olvassa el a tájékoztatót mielőtt a gépet használja.



Azokat a tartozékokat, amelyek gyárilag nincsenek a készülékhez mellékelve, külön lehet megrendelni.



Az elektromos eszközöket nem szabad a háztartási hulladékkal együtt ártalmatlanítani. Az elektromos és elektronikus eszközöket szelektíven kell gyűjteni, és azokat környezetbarát ártalmatlanítás céljából hulladékhasznosító üzemben kell leadni. A helyi hatóságoknál vagy szakkereskedőjénél tájékozódjon a hulladékudvarokról és gyűjtőhelyekről.



II. védelmi osztályú elektromos szerszám. Olyan elektromos szerszám, amelynél az elektromos áramütés elleni védelem nem csak az alapszigeteléstől függ, hanem amelyben kiegészítő védőintézkedéseket, mint pl. kettős szigetelés vagy megerősített szigetelés, alkalmaznak. Nincs lehetőség védőérintkező csatlakoztatására.



CE-jelölés



Regulatory Compliance Mark (RCM). A termék teljesíti az érvényben lévő előírásokat.



Eurázsiai megfelelőségi jelzés.

TEHNIČNI PODATKI	K500 S	K545 S
Proizvodna številka.....	4421 66 01....	4422 01 01....
.....	4421 58 01....	4421 96 01....
.....	4326 06 01....	4324 51 01....
.....	4077 95 01....	4260 25 01....
.....	4078 00 01....	4260 15 01....
.....	..000001-999999	..000001-999999
Nazivna sprejemna moč.....	1300 W.....	1300 W
Oddajna zmogljivost.....	650 W.....	650 W
Število vrtljajev v prostem teku.....	300 min ⁻¹	300 min ⁻¹
Število vrtljajev pri obremenitvi maks.	300 min ⁻¹	300 min ⁻¹
bremensko število udarcev maks.	2840 min ⁻¹	2840 min ⁻¹
Jakost posameznega udarca v skladu z EPTA-Procedure 05/2009.....	8,5 J.....	8,5 J
Vrtalni ø v betonu.....	45 mm.....	45 mm
Tunelni sveder v betonu, opeki in apnenem peščencu.....	65 mm.....	65 mm
Votla vrtalna krona v betonu, opeki in apnenem peščencu.....	100 mm.....	100 mm
Vpenjalni vrat ø.....	66 mm.....	66 mm
Teža po EPTA-proceduri 01/2003.....	6,3 kg.....	6,7 kg

Informacije o hrupnosti K545 S

Vrednosti merjenja ugotovljene ustrezno z EN 60 745.

Raven hrupnosti naprave ovrednotena z A, znaša tipično:

Nivo zvočnega tlaka (Nevarnost K=3dB(A)).....	98,5 dB (A)
Višina zvočnega tlaka (Nevarnost K=3dB(A)).....	109,5 dB (A)

Nosite zaščito za sluh!

Informacije o hrupnosti K500 S

A ocenjeni nivo zvočnega tlaka znaša tipično..... 91 dB (A)

Vrednost merjenja ugotovljena ustrezno z 2005/88/EC na ušesu uporabnika.

2005/88/EC: Postopek za oceno konformnosti po prilogi VI. –

navedeno mesto:

VDE Prüf- und Zertifizierungsinstitut, Merianstr. 28,

63069 Offenbach, Germany

Izmerjena višina zvočnega tlaka..... 101 dB (A)

Garantirana višina zvočnega tlaka..... 104 dB (A)

Nosite zaščito za sluh!

Informacije o vibracijah

Skupna vibracijska vrednost (Vektorska vsota treh smerdoločena

ustrezno EN 60745.

Udarno vrtenje v betonu:

Vibracijska vrednost emisij a_n..... 11,5 m/s²

Nevarnost K=..... 1,5 m/s²

Klesanje

Vibracijska vrednost emisij a_w..... 11,5 m/s²..... 9 m/s²

Nevarnost K=..... 1,9 m/s²..... 1,9 m/s²

OPOZORILO

V teh navodilih navedena raven tresljajev je bila izmerjena po EN60745 normiranem merilnem postopku in lahko služi medsebojni primerjavi električnih orodij. Prav tako je primeren za predhodno oceno obremenitve s tresljaji.

Navedena raven tresljajev navaja najpomembnejše vrste rabe električnega orodja. Kadar se električno orodje uporablja za drugačne namene, z odstopajočimi orodji ali pa z nezadostnim vzdrževanjem, lahko raven tresljajev tudi odstopa. Le to lahko čez celoten delovni čas znatno zviša obremenitev s tresenjem.

Za natančno oceno obremenitve s tresljaji naj bi se upošteval tudi čas v katerem je naprava izklopljena ali sicer teče, vendar dejansko ni rabi. Le to lahko obremenitev s tresljaji čez celoten delovni čas znatno zmanjša.

Za zaščito upravitelca pred učinkom tresljajev uvedite dodatne zaščitne ukrepe npr.: Vzdrževanje električnega orodja in orodja, delo s toplimi rokami, organizacija delovnih potekov.

⚠ OPOZORILO! Preberite vsa varnostna opozorila in navodila.

Napake zaradi neupoštevanja spodaj navedenih opozoril in napolit lahko povzročijo električni udar, požar in/ali težke telesne poškodbe.

Vsa opozorila in napolita shranite, ker jih boste v prihodnje še potrebovali.

⚠ VARNOSTNA OPOZORILO ZA ROTACIJSKA KLADIVA

Pri udarnemu vrtnanju nosite glušnik. Hrup lahko povzroči izgubo sluha.

Uporabite dodatne ročaje, ki so dobavljeni skupaj z napravo. Izguba kontrole lahko povzroči poškodbe.

Kadar izvajate dela pri katerih lahko orodje zadane prikrito električno napeljavo ali lasten vodnik, je napravo potrebno držati za izolirane prijemalne površine. Stik rezalnega orodja z

napetostnim vodnikom napeljave lahko privede kovinske dele naprave pod napetost in vodi do električnega udara.

NADALJNA VARNOSTNA IN DELOVNA OPOZORILO

Uporabite zaščitno opremo. Pri delu s strojem vedno nosite zaščitna očala. Priporočajo se zaščitna oblačila, kot npr. maska za zaščito proti prahu, zaščitne rokavice, trdno in nedrseče obuvale, čelada in zaščita za sluh.

Prah, ki nastaja pri delu, je pogosto zdravju škodljiv in naj ne zaide v telo. Nosite ustrezno masko proti prahu.

Obdelava materialov, iz katerih izhaja ogroženost zdravja (npr. azbest), ni dovoljena.

V primeru blokade orodja napravo takoj izklopite! Naprave ponovno ne vklaplajte dokler je orodje blokirano; pri tem bi lahko prišlo do povratnega udara z velikim reakcijskim momentom.

Ugotovite in odpravite vzroke blokade orodja ob upoštevanju varnostnih navodil.

Možni razlogi so lahko:

- Zagozditev v obdelovancu
- prežganje obdelovanega materiala
- Preobremenitev električnega orodja

Ne segajte v stroj v teku.

Orodje lahko med uporabo postane vroče.

OPOZORILO! Nevarnost opeklin

- pri menjavi orodja
- pri odlaganju naprave

Trske ali iveri se pri tekočem stroju ne smejo odstranjevati.

Vedno pazite, da se priključni kabel ne približa področju delovanja stroja. Kabel vedno vodite za strojem.

Pri delih na steni, stropu ali v tleh pazite na električne kable, plinske in vodne napeljave.

Obdelovanec zavarujte z vpenjalno pripravo. Nezavarovani obdelovanci lahko povzročijo težke poškodbe in okvare.

Pred vsimi deli na stroju izvlecite vtičak iz vtičnice.

Pri velikih premerih vrtnice mora biti dodatni ročaj pritrjen pravokotno na glavni ročaj. Glej tudi slikovni del, odstavek "Obracanje ročaja".

UPORABA V SKLADU Z NAMEMBOSTJO

K545 S: Udarni vrtalnik je univerzalno uporaben za udarno vrtnanje in klesanje v kamnu in betonu.

K500 S: Klesarsko kladivo je primerno za klesanje v kamnu in betonu.

Ta naprava se sme uporabiti samo v skladu z namembnostjo uporabiti samo za navedene namene.

CE-IZJAVA O KONFORMNOSTI

V lastni odgovornosti izjavljamo, da se pod „Tehnični podatki“ opisan proizvod ujema z vsemi relevantnimi predpisi smernice 2011/65/EU (RoHS), 2004/108/ES (do April 19, 2016), 2014/30/EU (od 20 April 2016), 2006/42/ES in s sledečimi harmoniziranimi normativnimi dokumenti:

EN 60745-1:2009 + A11:2010

EN 60745-2-6:2010

EN 55014-1:2006 + A1:2009 + A2:2011

EN 55014-2:1997 + A1:2001 + A2:2008

EN 61000-3-2:2006 + A1:2009 + A2:2009

EN 61000-3-3:2013

EN 50581:2012

Winnenden, 2015-12-11

Alexander Krug

Alexander Krug

Managing Director



Pooblaščen za izdelavo spisov tehnične dokumentacije.

Techtronic Industries GmbH

Max-Eyth-Straße 10

71364 Winnenden

Germany

OMREŽNI PRIKLUČEK

Vtičnice v zunanem področju morajo biti opremljene z zaščitnimi stikali za okvarni tok (FI, RCD, PRCD). To zahteva instalacijski predpis za vašo električno napravo. Prosimo, da to pri uporabi naše naprave upoštevate.

Priključite samo na enofazni izmenični tok in samo na omrežno napetost, ki je označena na tipski ploščici. Priključitev je možna tudi na vtičnice brez zaščitnega kontakta, ker obstaja nadgradnja zaščitnega razreda.

Napravo priključite na vtičnico samo v izklopljenem stanju.

Naprava je pripravljena za profesionalno uporabo. Naprava lahko po priključitvi na javno nizko napetostno omrežje nezadovoljivo prekoraci orjentacijsko vrednost zgornje vrednosti električnega toka. Zaradi tega se pred priključitvijo naprave posvetujte z odgovorno osebo vašega distributerja električne energije.

VZDRŽEVANJE

Pazite na to, da so prezačevalne reže stroja vedno čiste.

Pri obrabljenih oglenih krtačkah naj se dodatno z zamenjavo oglenih krtačk izvede servisno vzdrževanje v delavnici servisne službe. To podaljša življenjsko dobo stroja in zagotavlja stalno pripravljenost za obratovanje.

V kolikor je priključni omrežni vodnik poškodovan, ga je potrebno s strani servisne službe nadomestiti, ker je za ta namen potrebno posebno orodje.

Uporabljajte samo Milwaukee pribor in nadomestne dele. Poskrbite, da sestavne dele, katerih zamenjava ni opisana, zamenjajo v Milwaukee servisni službi (upoštevajte brošuro Garancija/Naslovi servisnih služb).

Po potrebi se lahko pri vaši servisni službi ali direktno pri Techtronic Industries GmbH naroči eksplozijska risba naprave ob navedbi tipa stroja in številke s tipske ploščice Techtronic Industries GmbH, Max-Eyth-Straße 10, 71364 Winnenden, Germany.

SIMBOLI



POZORI! OPOZORILO! NEVARNO!



Pred vsimi deli na stroju izvlecite vtičak iz vtičnice.



Prosimo, da pred uporabo pazorno preberete to navodilo za uporabo.



Oprema – ni vsebovana v obsegu dobave, priporočeno dopolnilo iz programa opreme.



Električnih naprav ni dovoljeno odstranjevati skupaj z gospodinjstskimi odpadki. Električne in elektronske naprave je potrebno zbirati ločeno in za okolju prijazno odstranitev, oddati podjetju za reciklažo.

Pri krajevnem uradu ali vašem strokovnem prodajalcu se pozanimajte glede reciklažnih dvorišč in zbirnih mest.



Električno orodje zaščitnega razreda II. Električno orodje, pri katerem zaščita pred električnim udarom ni odvisna zgolj od osnovne izolacije, temveč tudi od tega, da so uporabljeni dodatni ukrepi, kot dvojna ali okrepljena izolacija. Ni priprave za priključek zaščitnega vodnika.



CE-znak



Regulatory Compliance Mark (RCM). Proizvod izpolnjuje veljavne predpise.



EurAsian oznaka o skladnosti.

TEHNIČKI PODACI	K500 S	K545 S
Broj proizvodnje.....	4421 66 01...	4422 01 01...
.....	4421 58 01...	4421 96 01...
.....	4326 06 01...	4324 51 01...
.....	4077 95 01...	4260 25 01...
.....	4078 00 01...	4260 15 01...
.....	..000001-999999	..000001-999999
Snaga nominalnog prijema.....	1300 W.....	1300 W
Predajni učinak.....	650 W.....	650 W
Broj okretaja praznog hoda.....	300 min ⁻¹	300 min ⁻¹
Broj okretaja pod opterećenjem.....	300 min ⁻¹	300 min ⁻¹
Maksimalan broj udaraca pod opterećenjem.....	2840 min ⁻¹	2840 min ⁻¹
Jačina pojedinačnih udaraca prema EPTA-Procedure 05/2009.....	8,5 J	8,5 J
Bušenje-ø u beton.....	45 mm	45 mm
Bušać tunela u beton, opeku i silikatnu opeku.....	65 mm	65 mm
Šuplja krunica za bušenje u beton, opeku i silikatnu opeku.....	100 mm	100 mm
Stezno grio-ø.....	66 mm	66 mm
Težina po EPTA-proceduri 01/2003.....	6,3 kg	6,7 kg

Informacije o buci K545 S

Mjerne vrijednosti utvrđene odgovarajuće EN 60 745.

A-ocijenjeni nivo buke aparata iznosi tipično:

Nivo pritiska zvuka (Nesigurnost K=3dB(A))..... 98,5 dB (A)
 Nivo učinka zvuka (Nesigurnost K=3dB(A))..... 109,5 dB (A)

Nositi zaštitu sluha!

Informacije o buci K500 S

A-procjenjeni nivo pritiska zvuka aparata iznosi tipično..... 91 dB (A)

Mjerna vrijednost pronađenja odgovarajuće 2005/88/EC na uhu korisnika.

2005/88/EC: Postupak procjene konformnosti po dodatku VL nazvano mjesto:

VDE Institut za provjeru i certifikaciju, Merianstr. 28,

63069 Offenbach, Njemačka

Izmjereni nivo učinka zvuka..... 101 dB (A)

Garantirani nivo učinka zvuka..... 104 dB (A)

Nositi zaštitu sluha!

Informacije o vibracijama

Ukupne vrijednosti vibracije (Vektor suma tri smjersu odmjerene

odgovarajuće EN 60745

Čekično bušenje u beton:

Vrijednost emisije vibracije a_h11,5 m/s²

Nesigurnost K=..... 1,5 m/s²

Klesanje

Vrijednost emisije vibracije a_{h}11,5 m/s²..... 9 m/s²

Nesigurnost K=..... 1,9 m/s²..... 1,9 m/s²

UPOZORENIE

Ova u ovim uputama navedena razina titranja je bila izmjerena odgovarajuće jednom u EN 60745 normiranom mjernom postupku i može se upotrijebiti za usporedbu električnog alata međusobno. Ona je prikladna i za privremenu procjenu titrajnog opterećenja.

Navedena razina titranja reprezentira glavne primjene električnog alata. Ukoliko se električni alat upotrebljava u druge svrhe sa odstupajućim primijenjenim alatima ili nedovoljnim održavanjem, onda razina titranja može odstupati. To može titrajno opterećenje kroz cijeli period rada bitno povisiti.

Za točnu procjenu titrajnog opterećenja se moraju uzeti u obzir i vremena u kojima je uređaj isključeni ili u kojima doduše radi, ali nije i stvarno u upotrebi. To može titrajno opterećenje bitno smanjiti za vrijeme cijelog radnog perioda.

Utvrđite dodatne sigurnosne mjere za zaštitu poslužioca protiv djelovanja titranja kao npr.: Održavanje električnih alata i upotrebljenih alata, održavanje topline ruku, organizacija i radne postupke.

A UPOZORENIE! Pročitajte molimo sve sigurnosna upozorenja i upute. Ako se ne bi poštivala napomene o sigurnosti i upute to bi moglo uzrokovati strujni udar, požar i/ili teške ozljede.
Sačuvajte sve napomene o sigurnosti i upute za buduću primjenu.

A SIGURNOSNE UPUTE ZA UDARALJKE BUŠAČI ČEKIĆ

Kod uradnog bušenja nosite zaštitu za sluh. Djelovanje buke može uzrokovati gubitak sluha.

Koristite dodatne drške koje su isporučene sa aparatom. Gubitak kontrole može prouzročiti povrede.

Držite spravu na izoliranim držačkim površinama kada izvodite radove kod kojih rezački alat može pogoditi skrivene vodove struje ili osobni kabel. Kontakt rezačkog alata sa

vodovima koji sprovode napon može metalne dijelove sprave dovesti pod napon i tako dovesti do električnog udara.

OSTALE SIGURNOSNE I RADNE UPUTE

Upotrebljavati zaštitnu opremu. Kod radova sa strojem uvijek nositi zaštitne naočale. Preporučuje se zaštitna odjeća, kao zaštitna maska protiv prašine, zaštitne rukavice, čvrste i protiv klizanja sigurne cipele, šljem i zaštitu sluha.

Prašina koja nastaje prilikom rada je često nezdrava i ne bi smijela dospjeti u tijelo. Nositi prikladnu zaštitnu masku protiv prašine.

Ne smiju se obrađivati nikakvi materijali, od kojih prijeti opasnost po zdravlje (npr. azbest).

Kod blokiranja alata koji se upotrebljava uređaj molimo odmah isključiti! Uređaj nemojte ponovno uključiti za vrijeme dok je alat koji se upotrebljava blokiran; time može doći do povratnog udara

sa visokim reakcijskim momentom. Pronađite i otklonite uzrok blokiranja alata koji se upotrebljava uz poštivanje sigurnosnih uputa.

Mogući uzroci tome mogu biti:

- Izobličavanje u izratku koji se obrađuje
- Probijanje materijala koji se obrađuje
- Preopterećenje električnog alata

Nemojte sezati u stroj koji radi.

Upotrebljeni alat se može za vrijeme korištenja zagrijati.

UPOZORENIE! Opasnost od opekotina

- kod promjene alata
- kod odlaganja uređaja

Piljevina ili iverje se za vrijeme rada stroja ne smiju odstranjivati.

Prikjučni kabel uvijek držati udaljenim sa područja djelovanja.

Kabel uvijek voditi od stroja prema nazad.

Kod radova na zidu, stropu ili podu paziti na električne kablove kao i vodove plina i vode.

Osigurajte vaš izradak jednim steznim uređenjem. Neosigurani izradci mogu prouzročiti teške povrede i oštećenja.

Prije radova na stroju izvući utikač iz utičnice.

Kod velikih promjera bušenja mora dodatna ručka biti pričvrščena pravokutno prema glavnoj ručki. Vidi i sliku, odsječak "Ručku zaokrenuti".

PROPIISNA UPOTREBA

K545 S: Bušaći čekić je univerzalno upotrebljiv za čekično bušenje i klesanje u kamenu i betonu.

K500 S: Čekić je upotrebljiv za klesanje u kamenju i betonu.

Ovaj aparat se smije upotrijebiti samo u određene svrhe kao što je navedeno.

CE-IZJAVA KONFORMNOSTI

Izjavljujemo na osobnu odgovornost, da je proizvod opisan pod „Tehnički podaci“, sukladan sa svim relevantnim propisima smjernice 2011/65/EU (RoHS), 2004/108/EC (do April 19, 2016), 2014/30/EU (da 20 April 2016), 2006/42/EC i sa slijedećim harmoniziranim normativnim dokumentima:

EN 60745-1:2009 + A11:2010

EN 60745-2-6:2010

EN 55014-1:2006 + A1:2009 + A2:2011

EN 55014-2:1997 + A1:2001 + A2:2008

EN 61000-3-2:2006 + A1:2009 + A2:2009

EN 61000-3-3:2013

EN 50581:2012

Winnenden, 2015-12-11

Alexander Krug
Managing Director



Ovlašten za formiranje tehničke dokumentacije.

Techtronic Industries GmbH
Max-Eyth-Straße 10
71364 Winnenden
Germany

PRIKLJUČAK NA MREŽU

Utičnice na vanjskom području moraju biti opremljene zaštitnim prekidačima za pogrešnu struju (FI, RCD, PRCD). To zahtjeva instalacijski propis za električne uređaje. Molimo da ovo poštujuete prilikom upotrebe našeg aparata.

Priključiti samo na jednofaznu naizmjeničnu struju i samo na napon struje, naveden na pločici snage. Priključak je moguć i na utičnice bez zaštitnog kontakta, jer postoji dogradnja zaštitne klase II.

Uređaj priključiti na utičnicu samo kada je isključen.

Uređaj je podešen za profesionalnu upotrebu. Prilikom priključivanja na javnu električnu mrežu niskog napona, uređaj može neznatno prekoraciiti orijentacijsku vrijednost gornjih valova električnog toka. Iz toga razloga prije priključivanja kontaktirajte Vašeg pristojnog dobavljača električne energije.

ODRŽAVANJE

Proreze za prozračivanje stroja uvijek držati čistima.

Kod istrošenih ugljenih četkica bi se uz zamjenu ugljenih četkica trebao dodatno provesti servis u nekoj servisnoj radionici. To povećava vijek trajanja stroja i jamči stalnu spremnost pogona.

Ako je mrežni priključni vodi oštećen, mora se od strane servisa zamijeniti, zato što je za to potreban specijalan alat.

Primijeniti samo Milwaukee opremu i rezervne dijelove. Sastavne dijelove, čija zamjena nije opisana, dati zamijeniti kod jedne od Milwaukee servisnih službi (poštivati brošuru Garancija/Adrese servisa).

Po potrebi se može zatražiti crtež eksplozije aparata uz davanje podataka o tipu stroja i desetoznamenkastog broja na pločici snage kod Vaše servisne službe ili direktno kod Techtronic Industries GmbH, Max-Eyth-Straße 10, 71364 Winnenden, Germany.

SIMBOLI



PAŽNJA! UPOZORENIE! OPASNOST!



Prije radova na stroju izvući utikač iz utičnice.



Molimo da pažljivo pročitate uputu o upotrebi prije puštanja u rad.



Oprema - u opsegu isporuke nije sadržana, preporučena dopuna iz promograma opreme.



Električni uređaji se ne smiju zbrinjivati skupa sa kućnim smećem. Električni uređaji se moraju skupljati odvojeno i predati na zbrinjavanje primjereno okolišu jednom od pogona za iskorisćavanje. Raspitajte se kod mjesnih vlasti ili kod stručnog trgovca u svezi gospodarstva za recikliranje i mjesta skupljanja.



Električni alat zaštitne kategorije II. Električni alat, čija zaštita od jednog električnog udara ne zavisi samo od osnovne izolacije, već i od toga, da se primijene dodatne zaštitne mjere, kao što su dvostruka izolacija ili pojačana izolacija. Ne postoji nikakva naprava za priključak nekog zaštitnog voda.

Oznaka-CE



Regulatory Compliance Mark (RCM). Proizvod ispunjava valjane propise.

EurAsian znak konformnosti.

TEHNISKIE DATI	K500 S	K545 S
Izlaides numurs	4421 66 01...	4422 01 01...
.....	4421 58 01.....	4421 96 01.....
.....	4326 06 01.....	4324 51 01.....
.....	4077 95 01.....	4260 25 01.....
.....	4078 00 01.....	4260 15 01.....
.....	..000001-999999	..000001-999999
Nominālā atdotā jauda.....	1300 W.....	1300 W
Cietkoks.....	650 W.....	650 W
Apgriezieni tukšgaitā.....	300 min ⁻¹	300 min ⁻¹
maks. apgriezienu skaits ar slodzi.....	300 min ⁻¹	300 min ⁻¹
maks. siēnienu biežums ar slodzi.....	2840 min ⁻¹	2840 min ⁻¹
Atsevišķo triecienu enerģija atbilstoši EPTA-Procedure 05/2009	8,5 J	8,5 J
Urbšanas diametrs betonā	45 mm	45 mm
Tuneļurbis betonam, ķieģeļiem un kaļķsmilšakmenim	65 mm	65 mm
Dobs kronurbis betonam, ķieģeļiem un kaļķsmilšakmenim	100 mm	100 mm
Kakla diametrs.....	66 mm	66 mm
Svars atbilstoši EPTA -Procedure 01/2003.....	6,3 kg.....	6,7 kg

Trokšņu informācija K545 S

Vērtības, kas noteiktas saskaņā ar EN 60 745.

A novērtētās aparātūras skaņas līmenis ir:

Trokšņa spiediena līmenis (Nedrošība K=3dB(A)).....	98,5 dB (A)
Trokšņa jaudas līmenis (Nedrošība K=3dB(A)).....	109,5 dB (A)

Nēsāt trokšņa slāpētāju!

Trokšņu informācija K500 S

Instrumenta tipiskais pēc A vērtētais trokšņa spiediena līmenis

parasti sastāda 91 dB (A)

Vērtības, kas noteiktas saskaņā ar 2005/88/EK pie lietotāja auss.

2005/88/EK: Konformitātes novērtēšanas process saskaņā ar VI. pielikumu. Minētā vieta:

VDE Eksaminēšanas un sertificēšanas institūts, adrese: Merianstr. 28, 63069 Offenbach, Vācija.

Izmērtais trokšņa jaudas līmenis 101 dB (A)

Garantētais trokšņa jaudas līmenis 104 dB (A)

Nēsāt trokšņa slāpētāju!

Vibrāciju informācija

Svārstību kopējā vērtība (Trīs virzienu vektoru summtiek noteikta atbilstoši EN 60745.

Urbšana betonā:

Svārstību emisijas vērtība a_h.....11,5 m/s²

Nedrošība K=.....1,5 m/s²

Skaldīšana

Svārstību emisijas vērtība a_h.....11,5 m/s²..... 9 m/s²

Nedrošība K=.....1,9 m/s².....1,9 m/s²

UZMANĪBU

Instrukcijā norādītā svārstību robežvērtība ir izmērta mērījumu procesā, kas veikts atbilstoši standartam EN 60745, un to var izmantot elektroinstrumentu savstarpējai salīdzināšanai. Tā ir piemērota arī svārstību noslogojuma pagaidu izvērtēšanai.

Norādītā svārstību robežvērtība ir reprezentatīva elektroinstrumenta pamata pielietojuma jomām. Tomēr, ja elektroinstrumenti tiek pielietoti citās jomās, papildus izmantojot neatbilstošus elektroinstrumentus vai pēc nepietiekamas tehniskās apkopes, tad svārstību robežvērtība var atšķirties. Tas var ievērojami palielināt svārstību noslogojumu visa darba laikā.

Precīzai svārstību noslogojuma noteikšanai, ir jāņem vērā arī laiks, kad ierīces ir izslēgta vai arī ir ieslēgta, tomēr faktiski netiek lietota. Tas var ievērojami samazināt svārstību noslogojumu visa darba laikā.

Integrējiet papildus drošības pasākumus pret svārstību ietekmi lietotājam, piemēram: elektroinstrumentu un darba instrumentu tehniskā apkope, roku siltuma uzturešana, darba procesu organizācija.

▲ BRĪDINĀJUMS! Izlasiet visus drošības brīdinājumus un instrukcijas. Šeit sniegto drošības noteikumu un norādījumu neievērošana var izraisīt aizdedzināšanu. Tā ir piemērota arī svārstību noslogojuma pagaidu izvērtēšanai. Norādītā svārstību robežvērtība ir reprezentatīva elektroinstrumenta pamata pielietojuma jomām. Tomēr, ja elektroinstrumenti tiek pielietoti citās jomās, papildus izmantojot neatbilstošus elektroinstrumentus vai pēc nepietiekamas tehniskās apkopes, tad svārstību robežvērtība var atšķirties. Tas var ievērojami palielināt svārstību noslogojumu visa darba laikā.

▲ DROŠĪBAS NORĀDĪJUMI DARBĀ AR ROTĒJOŠAIS ĀMURS

Lietojiet dzirdes aizsargu, izmantojot āmururbi. Trokšņa iedarbība var izraisīt dzirdes zudumu.

Lietojiet instrumentam pievienotos papildus rokturus. Zaudējot kontroli, var gūt ievainojumus.

Leļci turiet aiz izolētiem rokturiem, ja veicat darbus, kuros griešanas darbiem izmantotais instruments var skart

paslēptus elektrovadus vai pats savu kabeli. Šī instrumenta saskare ar strāvu vadošiem kabeļiem var radīt spriegumu arī ierīces metāliskajās daļās un var izraisīt elektrisko triecienu.

CITAS DROŠĪBAS UN DARBA INSTRUKCIJAS

Jāizmanto aizsargaprīkojums. Strādājot ar mašīnu, vienmēr jānēsā aizsargbrilles. Ieteicams nēsāt aizsargapģērbu, kā piemēram, aizsargmasku, aizsargcimdus, kurpes no stingra un neslīdīga materiāla, ķiveri un ausu aizsargus.

Putekļi, kas rodas darba gaitā, bieži ir kaitīgi veselībai un tiem nevajadzētu nokļūt organismā. Jānēsā piemērota maska, kas pasargā no putekļiem.

Nedrīkst apstrādāt materiālus, kas rada draudus veselībai (piemēram, azbestu).

Ja izmantojamais darba rīks tiek bloķēts, nekavējoties izslēgt ierīci! Neieslēdziet ierīci, kamēr izmantotais darba rīks ir bloķēts; var rasties atšitiens ar augstu griezes momentu. Noskaidrojiet un novērsiet izmantojamā darba rīka bloķēšanas iemeslu, ievērojot visas drošības norādes.

Iespējamie iemesli:

- iesprūdis apstrādājamajā materiālā
- apstrādājama materiāls ir caursists
- elektroinstrumentis ir pārslēgots

I+AA2eslēgtai ierīcei nepieskarties.

Izmantojamais darba rīks darba gaitā var stipri sakarst.

UZMANĪBU! Bīstamība apdedzināties

- veicot darba rīka nomaīņu
- noliekot iekārtu

Skaidas un atlūzas nedrīkst ņemt ārā, kamēr mašīna darbojas.

Pievienojuma kabeli vienmēr turēt atstatu no mašīnas darbības lauka. Kabelim vienmēr jāatrodas aiz mašīnas.

Veicot darbus sienu, griestu un grīdas apvidū, vajag uzmanīties, lai nesabojātu elektriskos, gāzes un ūdens vadus.

Fiksējiet apstrādājamo materiālu ar fiksācijas aprīkojumu.

Nenospiņināti materiāli var izraisīt smagus savainojumus un bojājumus.

Pirms jebkādiem darbiem, kas attiecas uz mašīnas apkopi, mašīnu noteikti vajag atvienot no kontaktligzdās.

Pie liela urbšanas diametra papildus rokturi vajag piestiprināt perpendikulāri galvenajam rokturim. Skat. arī attēlus nodaļā "Pagrīzt rokturi".

NOTEIKUMIEM ATBILSTOŠS IZMANTOJUMS

K545 S: Atskaldāmāis āmurs ir universāli izmantojams urbšanai un akmens un betona skaldīšanai.

K500 S: Āmurs ir izmantojams akmens un betona skaldīšanai.

Šo instrumentu drīkst izmantot tikai saskaņā ar minētajiem lietošanas noteikumiem.

ATBILSTĪBA CE NORMĀM

Mēs apļiecinām, ka produkts, kura tehniskie parametri aprakstīti „tehnisko datu lapā”, pilnībā atbilst prasībām saskaņā ar direktīvām 2011/65/EU (RoHS), 2004/108/EK (līdz April 19, 2016), 2014/30/ES (no 20 April 2016), 2006/42/EK ar attiecīgajiem harmonizētajiem normaīvajiem dokumentiem:

EN 60745-1:2009 + A11:2010

EN 60745-2-6:2010

EN 55014-1:2006 + A1:2009 + A2:2011

EN 55014-2:1997 + A1:2001 + A2:2008

EN 61000-3-2:2006 + A1:2009 + A2:2009

EN 61000-3-3:2013

EN 50581:2012

Winnenden, 2015-12-11

Alexander Krug
Managing Director

Pilnvarotais tehniskās dokumentācijas sastādīšanā.

Techtronic Industries GmbH
Max-Eyth-Straße 10
71364 Winnenden
Germany

TĪKLA PIESLĒGUMS

Kontaktligzdām, kas atrodas ārpus telpām jābūt aprīkotām ar automātiskiem drošinātājslēdzīem, kas nostrādā, ja strāvas plūsmā radušies (FI, RCD, PRCD) bojājumi. To pieprasa jūsu elektroiekārtas instalācijas noteikumi. Lūdzu, to ņemt vērā, izmantojot mūsu instrumentus.

Pieslēgt tikai vienpola maiņstrāvas tīklam un tikai spriegumam, kas norādīts uz jaudas paneļa. Pieslēgums iespējams arī

kontaktligzdām bez aizsargkontaktiem, jo runa ir par uzbūvi, kas atbilst II. aizsargklasei.

Instrumentu pieslēgt kontaktligzdai tikai izslēgtā stāvoklī.

Iekārta ir paredzēta profesionālajai lietošanai. Pieslēdzot iekārtu pie parastā zema sprieguma tīkla, var tikt negatīvi ietekmēta zema sprieguma tīkla darbība. Pirms pieslēgt iekārtu pie zema sprieguma tīkla lūdzu sazinieties ar vietējo elektroenerģijas piegādātāju.

APKOPE

Vajag vienmēr uzmanīt, lai būtu tīras dzesēšanas atveres.

Ja ir nolietojušās elektromotora oļģites, papildus to nomaīnai būtu jāveic instrumenta apskate sevis darbnīcā. Tas pagarinās mašīnas kalpošanas ilgumu un garantēs tās pastāvīgu darbību..

Ja ir bojāts tīkla pieslēguma vads, tad tā apmaīna jāaudod klientu apkalpošanas servissam, kuram ir nepieciešami speciāli darba rīki.

Izmantojiet tikai firmu Milwaukee piederumus un firmas rezerves daļas. Lieciet nomaīnit detaļas, kuru nomaīna nav aprakstīta, kādā no firmu Milwaukee klientu apkalpošanas servisiem. (Skat. brošūru "Garantīja/klientu apkalpošanas serviss".)

Ja nepieciešams, klientu apkalpošanas servisā vai tieši pie firmas Techtronic Industries GmbH, Max-Eyth-Straße 10, 71364 Winnenden, Germany, var pieprasīt instrumenta numurs, kas norādīts uz jaudas paneļa.

SIMBOLI



UZMANĪBU! BĪSTAMI!



Pirms jebkādiem darbiem, kas attiecas uz mašīnas apkopi, mašīnu noteikti vajag atvienot no kontaktligzdās.



Pirms sākt lietot instrumentu, lūdzu, izlasiet lietošanas pamācību.



Piederumi - standartaprīkojumā neietvertās, bet ieteicamās papildus komplektācijas detaļas no piederumu programmas.



Elektroiekārtas nedrīkst izmest kopā ar sadzīves atkritumiem. Elektriskās un elektroniskās iekārtas ir jāsavāc atsevišķi un jānodod pārstrādes uzņēmumam, kas no tām atbrīvojas dabai draudzīgā veidā. Meklējiet otrreizējās pārstrādes poligonus un savākšanas punktus vietējās pārvaldes iestādēs vai pie preces pārdevēja.



II aizsardzības klases elektroinstrumenti. Elektroinstrumenti, kuram aizsardzība pret elektrisko triecienu ir atkarīga ne tikai no pamata izolācijas, bet arī no tā, ka tiek piemēroti papildu aizsardzības pasākumi, piemēram, dubultā izolācija vai pastiprināta izolācija. Aizsarga pieslēgšanai instrumenti nav paredzēti.



CE marķējums



Regulatory Compliance Mark (RCM). Produkts atbilst spēkā esošajiem noteikumiem.



EurAsian atbilstības marķējums.

TECHNINIAI DUOMENYS		K500 S	K545 S
Produkto numeris	4421 66 01...	4422 01 01...	4421 66 01...
.....	4421 58 01...	4421 96 01...
.....	4326 06 01...	4324 51 01...
.....	4077 95 01...	4260 25 01...
.....	4078 00 01...	4260 15 01...
.....	...00001-999999	...00001-999999
Vardinė imamoji galia	1300 W.....	1300 W	
Išėjimo galia.....	650 W.....	650 W	
Sūkių skaičius laisva eiga.....	300 min ⁻¹	
Sūkių skaičius su apkrova maks.....	300 min ⁻¹	
Maks. smūgių skaičius su apkrova.....	2840 min ⁻¹	
Smūgio energija pagal „EPTA-Procedure 05/2009“	8,5 J	
Gręžimo ø betone.....	45 mm	
Cilindrinis gražtas betonui, degintoms ir silikatinėms plytom.....	65 mm	
Vamzdinė gręžimo galvutė betonui, degintoms ir silikatinėms plytom.....	100 mm	
Išvėrimo asies ø	66 mm	
Prietaiso svoris įvertintas pagal EPTA 2003/01 tyrimų metodiką.....	6,3 kg	

Informacija apie keliamą triukšmą K545 S

Vertės matuotos pagal EN 60 745. Įvertintas A įrenginio keliamo triukšmo lygis dažniausiai sudaro: Garso slėgio lygis (Paklaida K=3dB(A)).....	98,5 dB (A)
Garso galios lygis (Paklaida K=3dB(A)).....	109,5 dB (A)

Nešioti klausos apsaugines priemones!

Informacija apie keliamą triukšmą K500 S

Prietaisui būdingas garso slėgio lygis, koreguotas pagal A dažnio charakteristiką,	91 dB (A)
Vertės matuotos pagal 2005/88/EB ties dirbančiojo ausimi. 2005/88/EB: Atitikties įvertinimo procedūra pagal priedą VI. Įgaliota instancija: „VDE Prüf- und Zertifizierungsinstitut“, Merianstr. 28, 63069 Offenbach, Vokietija	

Išmatuotas garso galios lygis	101 dB (A)
Garantuojamas garso galios lygis	104 dB (A)

Nešioti klausos apsaugines priemones!

Informacija apie vibraciją

Bendroji svyravimų reikšmė (trijų krypčių vektorių suma), nustatyta remiantis EN 60745. Gręžimas betone: Vibravimų emisijos reikšmė a _w	11,5 m/s ²
Paklaida K=.....	1,5 m/s ²
Atskėlimas Vibravimų emisijos reikšmė a _w	11,5 m/s ²
Paklaida K=.....	1,9 m/s ²

DĖMESIO

Instrukcijoje nurodyta svyravimų ribinė vertė yra išmatuota remiantis standartu EN 60745; ji gali būti naudojama keliems elektriniams instrumentams palyginti. Ji taikoma ir laikinai įvertinti svyravimų apkrovą. Nurodyta svyravimų ribinė vertė yra taikoma pagrindinėse elektrinio instrumento naudojimo srityse. Svyravimų ribinė vertė gali skirtis naudojant elektrinį instrumentą kitose srityse, papildomai naudojant netinkamus elektrinius instrumentus arba juos nepakankamai techniškai prižiūrint. Dėl to viso darbo metu gali žymiai padidėti svyravimų apkrova. Siekiant tiksliai nustatyti svyravimų apkrovą, būtina atsižvelgti ir į laikotarpį, kai įrenginys yra išjungtas arba įjungtas, tačiau faktiškai nenaudojamas. Dėl to viso darbo metu gali žymiai sumažėti svyravimų apkrova. Siekiant apsaugoti vartotojus nuo svyravimo įtakos naudojamos papildomos saugos priemonės, pavyzdžiui, elektrinių darbo instrumentų techninė priežiūra, rankų šilumos palaikymas, darbo procesų organizavimas.

⚠ ĮSPĖJIMAS! Perskaitykite visus saugos nurodymus ir instrukcijas. Jei nepaisysite žemiau pateiktų saugos nuorodų ir reikalavimų, gali trenkti elektros smūgis, kilti gaisras ir/arba galite sunkiai susižaloti arba sužaloti kitus asmenis.

Išsaugokite šias saugos nuorodas ir reikalavimus, kad ir ateityje galėtumėte jais pasinaudoti.

⚠ SUKAMASIS PLAKTUKAS SAUGUMO NURODYMAI

Dirbdami su smūginiu gražtu, visuomet naudokite apsaugines ausų priemones. Dėl didelio triukšmo poveikio gali būti pažeidžiama klausos. Naudokite į prietaiso komplektaciją įeinančias papildomas rankenas. Nesuvaldžius prietaiso galima susižeisti. **Dirbdami laikykite prietaisą už izoliuotų vietų, kuriose įpjovimo įrenginys pats galėtų liesti paslėptus laidus arba savo paties**

laidą. Įpjovimo įrenginio kontaktas su įtampos laidais gali įelektrinti metalines prietaiso dalis, o tai gali sukelti elektros iškvėpą.

KITI SAUGUMO IR DARBO NURODYMAI

Dėvėkite apsaugines priemones. Dirbdami su mašina visada užsidėkite apsauginius akinius. Rekomenduotina dėvėti apsaugines priemones: apsaugos nuo dulkių respiratorius, apsaugines pirštines, kietus batus neslidžiais padais, šalmą ir klausos apsaugos priemones. Darbo metu susidarancios dulkės yra dažnai kenksmingos sveikatai ir todėl turėtų nepatekti į organizmą. Dėvėti tinkamą apsauginę kaukę nuo dulkių.

Negalima apdirbti medžiagų, dėl kurių galimi sveikatos pažeidimai (pvz., asbesto). Blokuojant įstatomąjį įrankį būtina išjungti prietaisą! Neįjunkite prietaiso, kol įstatomasis įrankis yra užblokuotas; galimas

grįžtamasis smūgis su dideliu sukimo momentu. Atsižvelgdami į saugumo nurodymus, nustatykite ir pašalinkite įstatomojo įrankio blokavimo priežastį.

- Galimos priežastys:
- Susidariusios apdirbamo ruošinio briaunos
 - Apdirbamos medžiagos pratrūkimas
 - Elektros įrankio perkrova

Nekiskite rankų į veikiančią mašiną. Naudojamas įstatomasis įrankis gali įkaiti. **DĖMESIO!** Pavojus nusideginti

- keičiant įrankį
- padedant prietaisą

Draudžiama išiminti drožles ar nuopjovas, įrenginiui veikiančiam. Maitinimo kabelis turi nebūti įrenginio poveikio srityje. Kabelį visada nuveskite iš galinės įrenginio pusės.

Dirbdami sienoje, lubose arba grindyse, atkreipkite dėmesį į elektros laidus, dujų ir vandens vamzdžius. Ruošinį užfiksuokite įtempimo įrenginiu. Neužfiksuoti ruošiniai gali sunkiai sužaloti ir būti pažeidimų priežastimi.

Prieš atlikdami bet kokius įrenginyje, ištraukite iš lizdo kištuką. Atliekant didesnio skersmens gręžimus, papildomą rankeną reikia pritvirtinti statmenai pagrindinei rankenai. Žr. ir iliustracijų dalyje esantį skyrelį: „Rankenos persukimas“.

NAUDOJIMAS PAGAL PASKIRTĮ

K545 S: Smūginį grąžtuvą galima universaliai naudoti smūginiam gręžimui bei kalimui uolienoje ir betone. K500 S: Atskėlimo plaktuką galima naudoti uolienų ir betono atskėlimui. Šį prietaisą leidžiama naudoti tik pagal nurodytą paskirtį.

CE ATITIKTIES PAREIŠKIMAS

Remiantis bendrais atsakomybės reikalavimais pareiškiam, jog skyrnyje „Techniniai duomenys“ aprašytas produktas atitinka visus toliau pateiktų juridinių direktyvų reikalavimus: 2011/65/EU (RoHS), 2004/108/EB (iki April 19, 2016), 2014/30/ES (nuo 2016 m. April 20 d.), 2006/42/EB ir kitus su jomis susijusius norminius dokumentus:
EN 60745-1:2009 + A11:2010
EN 60745-2-6:2010
EN 55014-1:2006 + A1:2009 + A2:2011
EN 55014-2:1997 + A1:2001 + A2:2008
EN 61000-3-2:2006 + A1:2009 + A2:2009
EN 61000-3-3:2013
EN 50581:2012

Winnenden, 2015-12-11

Alexander Krug
Alexander Krug
Managing Director

CE

Įgaliotas parengti techninius dokumentus.
Techtronic Industries GmbH
Max-Eyth-Straße 10
71364 Winnenden
Germany

ELEKTROS TINKLO JUNGTIS

Lauke esantys el. lizdai turi būti su gedimo srovės išjungikliais. Tai nurodyta Jūsų elektros įrenginio instaliacijos taisyklėse (FI, RCD, PRCD). Atsižvelgkite į tai, naudodami prietaisą. Jungti tik prie vienfazės kintamos elektros srovės ir tik į specifikacijų lentelėje nurodytas įtampas elektros tinklą. Konstruktijos saugos klasė II, todėl galima jungti ir į lizdus be apsauginio kontakto. Į elektros tinklą junkite tik išjungtą prietaisą. Šis prietaisas skirtas profesionaliam naudojimui, todėl jungiamas prie viešojo žemos įtampos tinklo gali šiek tiek viršyti standartinį

viršutinės srovės bangos dydį. Todėl reikalui esant, prieš jungdami prietaisą prie viešojo žemos įtampos tinklo, susisiekite su energiją tiekiančiąja įmone.

TECHNINIS APTARNAVIMAS

Įrenginio vėdinimo angos visada turi būti švarios. Keičiant susidėvėjusius anginius šepetėlius, be šepetėlių keitimo aptarnavimo dirbtuvėse reikėtų atlikti techninį prietaiso aptarnavimą. Tai prailgina įrenginio tarnavimo laiką ir užtikrina nuolatinę parengtį darbui. Jeigu pažeistas elektros laidas, pakeiskite jį remonto dirbtuvėje, nes tam reikia specialaus prietaiso. Naudokite tik Milwaukee priedus ir atsargines dalis. Dalis, kurių keitimas neaprašytas, leidžiama keisti tik Milwaukee klientų aptarnavimo skyriams (žr. garantiją/klientų aptarnavimo skyrių adresus brošiūroje). Jei reikia, nurodant įrenginio tipą bei specifikacijų lentelėje esantį numerį, iš klientų aptarnavimo skyriaus arba tiesiai iš Techtronic Industries GmbH, Max-Eyth-Straße 10, 71364 Winnenden, Germany, galima užsisakyti prietaiso surinkimo brėžinius.

SIMBOLIAI


 **DĖMESIO! ĮSPĖJIMAS! PAVOJUS!**


 Prieš atlikdami bet kokius įrenginyje, ištraukite iš lizdo kištuką.


 Prieš pradėdami dirbti su prietaisu, atidžiai perskaitykite jo naudojimo instrukciją.


 Priedas – neįeina į tiekimo komplektaciją, rekomenduojamas papildymas iš priedų asortimento.

 Elektros prietaisų negalima išmesti kartu su buitinėmis atliekomis. Būtina rūšiuoti elektros ir elektroninius prietaisus ir atiduoti jį atliekų perdirbimo centrą, kad jie būtų utilizuoti netersiant aplinkos. Informacijos apie perdirbimo centrus ir atliekų surinkimo įstaigas teiraukitės vietos įstaigoje arba prekybininke.

 II apsaugos klasės elektrinis įrankis. Šio elektrinio įrankio apsauga nuo elektros smūgio priklauso ne tik nuo pagrindinės izoliacijos, bet ir nuo to, kaip naudojamos papildomos apsauginės priemonės, tokios kaip dviguba arba pagerinta izoliacija. Nėra jokių prietaiso apsauginio laido pajungimui.

 **CE** ženklas

 Regulatorius „Compliance Mark“ (RCM). Produktas atitinka galiojančias taisykles.

 „EurAsian“ atitikties ženklas.

TEHNILISED ANDMED		K500 S	K545 S
Tootmisnumber.....	4421 66 01....	4422 01 01....	4421 96 01....
.....	4421 58 01....	4421 96 01....	4421 96 01....
.....	4326 06 01....	4324 51 01....	4324 51 01....
.....	4077 95 01....	4260 25 01....	4260 25 01....
.....	4078 00 01....	4260 15 01....	4260 15 01....
.....	..000001-999999	..000001-999999	..000001-999999
Nimitarbimine.....	1300 W.....	1300 W	1300 W
Väljundvõimsus.....	650 W.....	650 W	650 W
Pöörlemiskiirus tühjooskul.....	300 min ⁻¹	300 min ⁻¹	300 min ⁻¹
Maks pöörlemiskiirus koormusega.....	300 min ⁻¹	300 min ⁻¹	300 min ⁻¹
Löökiide arv koormusega maks.....	2840 min ⁻¹	2840 min ⁻¹	2840 min ⁻¹
Löögitugevus EPTA-Procedure 05/2009 kohaselt.....	8,5 J	8,5 J	8,5 J
Puuri ø betoonis.....	45 mm	45 mm	45 mm
Tunnelpuur betoonis, tellistes ja silikaatkivides.....	65 mm	65 mm	65 mm
Õõnes-kroonpuur betoonis, tellistes ja silikaatkivides.....	100 mm	100 mm	100 mm
Kinnituskaela ø.....	66 mm	66 mm	66 mm
Kaal vastavalt EPTA-protseduurile 01/2003.....	6,3 kg	6,3 kg	6,3 kg

Müra andmed K545 S

Mööteväärtaus on kindlaks tehtud vastavalt normile EN 60 745.

Seadme tüüpiline hinnanguline (A) müratase:

Helirõhutase (Määramatus K=3dB(A)).....	98,5 dB (A)
Helivõimsuse tase (Määramatus K=3dB(A)).....	109,5 dB (A)

Kandke kaitseks kõrvaklappe!

Müra andmed K500 S

Seadme A-filtriga hinnatud helirõhutase

on tüüpiliselt.....	91 dB (A)
---------------------	-----------

Mööteväärtaus on kindlaks tehtud kasutaja kõrva juures vastavalt direktiivile 2005/88/EÜ.

2005/88/EÜ: vastavushindamismenetlust vastavalt lisale VI.

Teavitatud asutus:

VDE Prüf- und Zertifizierungsinstitut, Merianstr. 28,

63069 Offenbach, Saksamaa.

Mõõdetud müravõimsuse tase.....	101 dB (A)
---------------------------------	------------

Garanteeritud müravõimsuse tase.....	104 dB (A)
--------------------------------------	------------

Kandke kaitseks kõrvaklappe!

Vibratsiooni andmed

Vibratsiooni koguväärtaus (kolme suuna vektorsummõõdetud EN

60745 järgi.

Puurimine betoonis:

Vibratsiooni emissiooni väärtus a_n	11,5 m/s ²
---	-----------------------

Määramatus K=.....	1,5 m/s ²
--------------------	----------------------

Meiseldamine

Vibratsiooni emissiooni väärtus a_n	11,5 m/s ²
---	-----------------------

Määramatus K=.....	1,9 m/s ²
--------------------	----------------------

TÄHELEPANU

Antud juhendis toodud võnketase on mõõdetud EN 60745 standardile vastava mõõtesüsteemiga ning seda võib kasutada erinevate elektriseadmete omavahelises võrdlemises. Antud näitaja sobib ka esmaseks võnkekoormuse hindamiseks.

Antud võnketase kehtib elektriseadme kasutamisel sihtotstarbiselt. Kui elektriseadet kasutatakse muudel otstarvetel, muude tööriistadega või seda ei hooldata piisavalt võib võnketase siintoodust erineda. Eeltoodu võib võnketaset märkimisväärselt tõsta terves töökeskkonnas.

Võnketaseme täpseks hindamiseks tuleks arvestada ka aega, mil seade on välja lülitatud või on küll sisse lülitatud, kuid ei ole otseselt kasutuses. See võib märgatavalt vähendada kogu töökeskkonna võnketaset.

Rakendage spetsiaalseid ettevaatusabinõusid töötajate suhtes, kes puutuvad töö käigus palju kokku vibratsiooniga. Nendeks abinõudeks võivad olla, näiteks: elektri- ja tööseadmete korraline hooldus, käte soojendamine, töövoog parem organiseerimine.

A HOIATUS! Lugege kõiki ohutusjuhiseid ja korraldusi.

Ohutusnõuete ja juhiste eiramise tagajärjeks võib olla elektrilöökk, tulekahju ja/või rasked vigastused.

Hoidke kõik ohutusnõuded ja juhised edasiseks kasutamiseks hoolikalt alles.

A PÕÖRDVASAR E OHUTUSJUHISED

Kandke löökpuurimisel kuulmekaitset. Müra toime võib põhjustada kuulmiskadu.

Kasutage seadmega koos tarnitud lisakäepidemeid. Kontrolli kaotamine võib põhjustada vigastusi.

Tööde puhul, kus löikeseade võib minna vastu peidetud elektrijuhtmeid või seadme enda toitejuhet, hoidke kinni seadme isoleeritud käepidemetest. Kokkupuude pingestatud

juhtmega võib pingestada ka löikeseadme metallist osad ning põhjustada elektrilööki.

EDASISED OHUTUS- JA TÖÖJUHISED

Kasutada kaitsevarustust. Masinaga töötamisel kanda alati kaitseprille. Kaitseriietusena soovitatakse kasutada tolumaski kaitsekindaid, kinniseid ja libisemisvastase tallaga jalanõusid, kiivrit ja kuumisteede kaitset.

Töö ajal tekkiv tolm on sageli tervistkahjustav ning ei tohiks sattuda organismi. Kanda sobivat kaitsemaski.

Töödelda ei tohi materjale, millest lähtub oht tervisele (nt asbest).

Palun lülitage seade rakendustööriista blokeerumise korral kohe välja! Ärge lülitage seadet sisse tagasi, kuni rakendustööriist on blokeeritud; seejuures võib kõrge reaktsioonimomendiga

tagasilöökk tekkida. Tehke ohutusjuhiseid arvesse võttes kindlaks ja

kõrvaldage rakendustööriista blokeerumise põhjus.

Selle võimalikeks põhjusteks võivad olla:

- viltu asetumine töödeldavas toorikus

- töödeldava materjali läbimurumine

- elektritööriista ülekoormamine

Ärge sisestage jäsemeid töötavasse masinasse.

Rakendustööriist võib kasutamise ajal kuumaks minna.

TÄHELEPANU! Põletusoh

- tööriista vahetamisel
- seadme ärapanemisel

Puru ega pilpaid ei tohi eemaldada masina töötamise ajal.

Hoidke ühendusjuhe alati masina tööpiirkonnast eemal. Vedage juhe alati masinast tahapoole.

Seina, lae või pörandi tööde puhul pidage silmas elektrijuhtmeid, gaasi- ja veetorusid.

Kinnitage toorik kinnipingutusseadisega. Kinnitamata toorikud võivad raskeid vigastusi ja kahjustusi põhjustada.

Enne kõiki töid masina kallas tõmmake pistik pistikupesast välja.

Suurte puurimislabimõõtude puhul tuleb lisakäepide kinnitada peakäpideme külge täisnurga all. Vaata ka pilte osast lõiku „Käepideme keeramine“.

Antud seadet tohib kasutada ainult vastavalt äranäidatud otstarbele.

Antud seadet tohib kasutada ainult vastavalt äranäidatud otstarbele.

Antud seadet tohib kasutada ainult vastavalt äranäidatud otstarbele.

Antud seadet tohib kasutada ainult vastavalt äranäidatud otstarbele.

Antud seadet tohib kasutada ainult vastavalt äranäidatud otstarbele.

Antud seadet tohib kasutada ainult vastavalt äranäidatud otstarbele.

Antud seadet tohib kasutada ainult vastavalt äranäidatud otstarbele.

Antud seadet tohib kasutada ainult vastavalt äranäidatud otstarbele.

Antud seadet tohib kasutada ainult vastavalt äranäidatud otstarbele.

Antud seadet tohib kasutada ainult vastavalt äranäidatud otstarbele.

Antud seadet tohib kasutada ainult vastavalt äranäidatud otstarbele.

Antud seadet tohib kasutada ainult vastavalt äranäidatud otstarbele.

Antud seadet tohib kasutada ainult vastavalt äranäidatud otstarbele.

Antud seadet tohib kasutada ainult vastavalt äranäidatud otstarbele.

Antud seadet tohib kasutada ainult vastavalt äranäidatud otstarbele.

Antud seadet tohib kasutada ainult vastavalt äranäidatud otstarbele.

Antud seadet tohib kasutada ainult vastavalt äranäidatud otstarbele.

Antud seadet tohib kasutada ainult vastavalt äranäidatud otstarbele.

Antud seadet tohib kasutada ainult vastavalt äranäidatud otstarbele.

Antud seadet tohib kasutada ainult vastavalt äranäidatud otstarbele.

Antud seadet tohib kasutada ainult vastavalt äranäidatud otstarbele.

Antud seadet tohib kasutada ainult vastavalt äranäidatud otstarbele.

Antud seadet tohib kasutada ainult vastavalt äranäidatud otstarbele.

Antud seadet tohib kasutada ainult vastavalt äranäidatud otstarbele.

Antud seadet tohib kasutada ainult vastavalt äranäidatud otstarbele.

Antud seadet tohib kasutada ainult vastavalt äranäidatud otstarbele.

Antud seadet tohib kasutada ainult vastavalt äranäidatud otstarbele.

Antud seadet tohib kasutada ainult vastavalt äranäidatud otstarbele.

Antud seadet tohib kasutada ainult vastavalt äranäidatud otstarbele.

Antud seadet tohib kasutada ainult vastavalt äranäidatud otstarbele.

Antud seadet tohib kasutada ainult vastavalt äranäidatud otstarbele.

Antud seadet tohib kasutada ainult vastavalt äranäidatud otstarbele.

Antud seadet tohib kasutada ainult vastavalt äranäidatud otstarbele.

Antud seadet tohib kasutada ainult vastavalt äranäidatud otstarbele.

Antud seadet tohib kasutada ainult vastavalt äranäidatud otstarbele.

Antud seadet tohib kasutada ainult vastavalt äranäidatud otstarbele.

Antud seadet tohib kasutada ainult vastavalt äranäidatud otstarbele.

Antud seadet tohib kasutada ainult vastavalt äranäidatud otstarbele.

Antud seadet tohib kasutada ainult vastavalt äranäidatud otstarbele.

Antud seadet tohib kasutada ainult vastavalt äranäidatud otstarbele.

Antud seadet tohib kasutada ainult vastavalt äranäidatud otstarbele.

Antud seadet tohib kasutada ainult vastavalt äranäidatud otstarbele.

Antud seadet tohib kasutada ainult vastavalt äranäidatud otstarbele.

Antud seadet tohib kasutada ainult vastavalt äranäidatud otstarbele.

Antud seadet tohib kasutada ainult vastavalt äranäidatud otstarbele.

Antud seadet tohib kasutada ainult vastavalt äranäidatud otstarbele.

Antud seadet tohib kasutada ainult vastavalt äranäidatud otstarbele.

Antud seadet tohib kasutada ainult vastavalt äranäidatud otstarbele.

Antud seadet tohib kasutada ainult vastavalt äranäidatud otstarbele.

Antud seadet tohib kasutada ainult vastavalt äranäidatud otstarbele.

Antud seadet tohib kasutada ainult vastavalt äranäidatud otstarbele.

Antud seadet tohib kasutada ainult vastavalt äranäidatud otstarbele.

Antud seadet tohib kasutada ainult vastavalt äranäidatud otstarbele.

Antud seadet tohib kasutada ainult vastavalt äranäidatud otstarbele.

Antud seadet tohib kasutada ainult vastavalt äranäidatud otstarbele.

Antud seadet tohib kasutada ainult vastavalt äranäidatud otstarbele.

Antud seadet tohib kasutada ainult vastavalt äranäidatud otstarbele.

Käesolev seade on mõeldud kasutamiseks professionaalsetel

otstarvetel, mis võib veidi ületada üldkasutatava madalpingevõrgu

harmoonilise võnkeulatusse. Seepärast võtke enne seadme

ühendamist üldkasutatavasse madalpingevõrku vajadusel

ühendust oma energiarvustusetevõttega.

ühendust oma energiarvustusetevõttega.

ühendust oma energiarvustusetevõttega.

ühendust oma energiarvustusetevõttega.

ühendust oma energiarvustusetevõttega.

ühendust oma energiarvustusetevõttega.

ühendust oma energiarvustusetevõttega.

ühendust oma energiarvustusetevõttega.

ühendust oma energiarvustusetevõttega.

ühendust oma energiarvustusetevõttega.

ühendust oma energiarvustusetevõttega.

ühendust oma energiarvustusetevõttega.

ühendust oma energiarvustusetevõttega.

ühendust oma energiarvustusetevõttega.

ühendust oma energiarvustusetevõttega.

ühendust oma energiarvustusetevõttega.

ühendust oma energiarvustusetevõttega.

ühendust oma energiarvustusetevõttega.

ühendust oma energiarvustusetevõttega.

ühendust oma energiarvustusetevõttega.

ühendust oma energiarvustusetevõttega.

ühendust oma energiarvustusetevõttega.

ühendust oma energiarvustusetevõttega.

ühendust oma energiarvustusetevõttega.

ühendust oma energiarvustusetevõttega.

ühendust oma energiarvustusetevõttega.

ühendust oma energiarvustusetevõttega.

ühendust oma energiarvustusetevõttega.

ühendust oma energiarvustusetevõttega.

ühendust oma energiarvustusetevõttega.

ühendust oma energiarvustusetevõttega.

ühendust oma energiarvustusetevõttega.

ühendust oma energiarvustusetevõttega.

ühendust oma energiarvustusetevõttega.

ühendust oma energiarvustusetevõttega.

ühendust oma energiarvustusetevõttega.

ühendust oma energiarvustusetevõttega.

ühendust oma energiarvustusetevõttega.

ühendust oma energiarvustusetevõttega.

ühendust oma energiarvustusetevõttega.

ühendust oma energiarvustusetevõttega.

ühendust oma energiarvustusetevõttega.

ühendust oma energiarvustusetevõttega.

ühendust oma energiarvustusetevõttega.

ühendust oma energiarvustusetevõttega.

ühendust oma energiarvustusetevõttega.

ühendust oma energiarvustusetevõttega.

ühendust oma energiarvustusetevõttega.

ühendust oma energiarvustusetevõttega.

ühendust oma energiarvustusetevõttega.

ühendust oma energiarvustusetevõttega.

ühendust oma energiarvustusetevõttega.

ühendust oma energiarvustusetevõttega.

ühendust oma energiarvustusetevõttega.

ühendust oma energiarvustusetevõttega.

ühendust oma energiarvustusetevõttega.

ühendust oma energiarvustusetevõttega.

ühendust oma energiarvustusetevõttega.

ühendust oma energiarvustusetevõttega.

ühendust oma energiarvustusetevõttega.

ühendust oma energiarvustusetevõttega.

ühendust oma energiarvustusetevõttega.

ühendust oma energiarvustusetevõttega.

ühendust oma energiarvustusetevõttega.

ühendust oma energiarvustusetevõttega.

ühendust oma energiarvustusetevõttega.

ühendust oma energiarvustusetevõttega.

ühendust oma energiarvustusetevõttega.

ühendust oma energiarvustusetevõttega.

ТЕХНИЧЕСКИЕ ДАННЫЕ	K500 S	K545 S
Серийный номер изделия	4421 66 01... ..	4422 01 01... ..
.....	4421 58 01... ..	4421 96 01... ..
.....	4326 06 01... ..	4324 51 01... ..
.....	4077 95 01... ..	4260 25 01... ..
.....	4078 00 01... ..	4260 15 01... ..
.....	..000001-999999	..000001-999999
Номинальная выходная мощность.....	1300 W.....	1300 W
Номинальная мощность.....	650 W.....	650 W
Число оборотов без нагрузки (об/мин)	300 min ⁻¹	300 min ⁻¹
Макс. скорость под нагрузкой	300 min ⁻¹	300 min ⁻¹
Количество ударов при максимальной нагрузке (макс.).....	2840 min ⁻¹	2840 min ⁻¹
Сила одиночного удара в соответствии с EPTA Procedure 05/2009.....	8,5 J	8,5 J
Производительность сверления в бетон	45 mm	45 mm
Туннельные буры по бетону, кирпичу и известняку.....	65 mm	65 mm
Коронки для работы по бетону, кирпичу и известняку.....	100 mm	100 mm
Диаметр горловины патрона.....	66 mm	66 mm
Вес согласно процедуре EPTA 01/2003.....	6,3 kg	6,7 kg

Информация по шумам K545 S

Значения замерялись в соответствии со стандартом EN 60 745. Уровень шума прибора, определенный по показателю A, обычно составляет:

Уровень звукового давления (Небезопасность K=3dB(A))	98,5 dB (A)
Уровень звуковой мощности (Небезопасность K=3dB(A)).....	109,5 dB (A)

Пользуйтесь приспособлениями для защиты слуха.

Информация по шумам K500 S

Обычное низкочастотное звуковое давление, производимое инструментом, составляет

Измеряемые значения определяются согласно 2005/88/EC

2005/88/EC: Процедура оценки соответствия согласно Приложения VI.

Сертификационный орган:

VDE Testing and Certification Institute, Merianstr. 28,
63069 Offenbach, Germany

Измеренный уровень звуковой мощности

Гарантированный уровень звуковой мощности.....

Пользуйтесь приспособлениями для защиты слуха.

Информация по вибрации

Общие значения вибрации (векторная сумма трех направлений) определены в соответствии с EN 60745.

Сверление Бетон:

Значение вибрационной эмиссии a_{rh}

Небезопасность K=.....

Вырубка

Значение вибрационной эмиссии a_{rh}

Небезопасность K=.....

ВНИМАНИЕ

Указанный в настоящем руководстве уровень вибрации измерен в соответствии с технологией измерения, установленной стандартом EN 60745 и может использоваться для сравнения электроинструментов друг с другом. Он также подходит для предварительной оценки вибрационной нагрузки.

Указанный уровень вибрации представляет основные виды использования электроинструмента. Но если электроинструмент используется для других целей, используемый инструмент отклоняется от указанного или техническое обслуживание было недостаточным, то уровень вибрации может отклоняться от указанного. В этом случае вибрационная нагрузка в течение всего периода работы значительно увеличивается.

Для точной оценки вибрационной нагрузки необходимо также учитывать время, в течение которого прибор отключен или включен, но фактически не используется. В этом случае вибрационная нагрузка в течение всего периода работы может существенно уменьшиться.

Установите дополнительные меры безопасности для защиты пользователя от воздействия вибрации, например: техническое обслуживание электроинструмента и используемого инструмента, поддержание рук в теплом состоянии, организация рабочих процессов.

ПРЕДУПРЕЖДЕНИЕ! Прочтите все указания по безопасности и инструкции. Улучшения, допущенные при соблюдении указанных и инструкций по технике безопасности, могут стать причиной электрического поражения, пожара и тяжелых травм.

Сохраняйте эти инструкции и указания для будущего использования.

УКАЗАНИЯ ПО ТЕХНИКЕ БЕЗОПАСНОСТИ ПРИ РАБОТЕ С ПЕРФОРАТОР

При ударном сверлении надевайте защитные наушники. Воздействие шума может привести к потере слуха.

Используйте вспомогательные рукоятки, поставляемые вместе с инструментом. Потеря контроля может стать причиной травмы.

Если Вы выполняете работы, при которых режущий инструмент может зацепить скрытую электропроводку или собственный кабель, инструмент следует держать за специально предназначенные для этого изолированные поверхности. Контакт режущего инструмента с токоведущим проводом может ставить под напряжение металлические части прибора, а также приводить к удару электрическим током.

ДОПОЛНИТЕЛЬНЫЕ УКАЗАНИЯ ПО БЕЗОПАСНОСТИ И РАБОТЕ

Пользоваться средствами защиты. Работать с инструментом всегда в защитных очках. Рекомендуется спецодежда: пылегазозащитная маска, защитные перчатки, прочная и нескользящая обувь, каска и наушники.

Пыль, возникающая при работе данным инструментом, может нанести вред здоровью. Не следует допускать её попадания в организм. Надевайте противольцевой респиратор.

Запрещается обрабатывать материалы, которые могут нанести вред здоровью (напр., асбест).

При блокировании используемого инструмента немедленно выключить прибор! Не включайте прибор до тех пор, пока используемый инструмент заблокирован, в противном случае может возникнуть отдача с высоким реактивным моментом. Определите и устраните причину блокирования используемого инструмента с учетом указаний по безопасности.

Возможными причинами могут быть:

- перекос заготовки, подлежащей обработке
- разрушение материала, подлежащего обработке

- перегрузка электроинструмента

Не прикасаться к работающему станку.

Используемый инструмент может нагреваться во время применения.

ВНИМАНИЕ! Опасность получения ожога

- при смене инструмента
- при укладывании прибора

Не убирайте опилки и обломки при включенном инструменте.

Держите силовой провод вне рабочей зоны инструмента. Всегда прокладывайте кабель за спиной.

При работе в стенах, потолках или полу следите за тем, чтобы не повредить электрические кабели или водопроводные трубы.

Зафиксируйте вашу заготовку с помощью зажимного приспособления. Незафиксированные заготовки могут привести к тяжелым травмам и повреждениям.

Перед выполнением каких-либо работ по обслуживанию инструмента всегда вынимайте вилку из розетки.

При работе с большими диаметрами, дополнительная рукоятка должна быть зафиксирована под прямым углом к основной (см. иллюстрацию).

ИСПОЛЬЗОВАНИЕ

K545 S: Данный перфоратор может одинаково использоваться для ударного сверления и долбления в камне и бетона.

K500 S: Отбойный молоток может использоваться для ударного сверления и долбления в камне и бетона

Не пользуйтесь данным инструментом способом, отличным от указанного для нормального применения.

ДЕКЛАРАЦИЯ О СООТВЕТСТВИИ СТАНДАРТАМ ЕС

Мы заявляем под собственную ответственность, что изделие, описанное в разделе „Технические характеристики“, соответствует всем важным предписаниям Директивы 2011/65/EU (Директива об ограничении применения опасных веществ в электрических и электронных приборах), 2004/108/EC (до 19 апреля 2016), 2014/30/EU, 2014/30/EU (с 20 апреля 2016), 2006/42/EC и приведенным далее гармонизированным нормативным документам:

EN 60745-1:2009 + A11:2010

EN 60745-2:6:2010

EN 55014-1:2006 + A1:2009 + A2:2011

EN 55014-2:1997 + A1:2001 + A2:2008

EN 61000-3-2:2006 + A1:2009 + A2:2009

EN 61000-3-3:2013

EN 50581:2012

Winnenden, 2015-12-11



Alexander Krug
Managing Director

Уполномочен на составление технической документации.

Techtronic Industries GmbH
Max-Eyth-Straße 10

71364 Winnenden
Germany



ПОДКЛЮЧЕНИЕ К ЭЛЕКТРОСЕТИ

Электроприборы, используемые во многих различных местах, в том числе на открытом воздухе, должны подключаться через устройство, предотвращающее резкое повышение напряжения (FI, RCD, PRCD).

Подсоединять только к однофазной сети переменного тока с напряжением, соответствующим указанному на инструменте. Электроинструмент имеет второй класс защиты, что позволяет подключать его к розеткам электропитания без заземляющего вывода.

Перед включением вилки в розетку убедитесь, что машина выключена.

Этот прибор, предназначенный для профессионального использования, способен немного превышать нормативные показатели для гармонической составляющей тока при подключении к общественной сети низкого напряжения. Поэтому перед тем, как подключить прибор, свяжитесь с предприятием, отвечающим за общественную сеть низкого напряжения, или с соответствующей энергосбытовой компанией.

ОБСЛУЖИВАНИЕ

Всегда держите охлаждающие отверстия чистыми.

При износе угловых щеток, в дополнение к замене щеток инструмент следует проверить в сервисном центре. Это обеспечит долгий срок эксплуатации, а также постоянную готовность инструмента к работе.

При повреждении сетевого соединительного кабеля его замену производит служба технической поддержки клиентов, так как для этого требуется специальный инструмент.

Пользуйтесь аксессуарами и запасными частями только фирмы Milwaukee. В случае возникновения необходимости в замене, которая не была описана, пожалуйста, обращайтесь на один из сервисных центров (см. список наших гарантийных/сервисных организаций).

При необходимости может быть заказан чертеж инструмента с трехмерным изображением деталей. Пожалуйста, укажите номер и тип инструмента и закажите чертеж у Ваших местных агентов или непосредственно у Techtronic Industries GmbH, Max-Eyth-Straße 10, 71364 Winnenden, Germany.

СИМВОЛЫ



ВНИМАНИЕ! ПРЕДУПРЕЖДЕНИЕ! ОПАСНОСТИ!



Перед выполнением каких-либо работ по обслуживанию инструмента всегда вынимайте вилку из розетки.



Пожалуйста, внимательно прочтите инструкцию по использованию перед началом любых операций с инструментом.



Принадлежности - В стандартную комплектацию не входит, поставляется в качестве дополнительной принадлежности.



Электрические устройства нельзя утилизировать вместе с бытовым мусором. Электрические и электронные устройства следует собирать отдельно и сдавать в специализированную утилизирующую компанию для утилизации в соответствии с нормами охраны окружающей среды. Сведения о центрах вторичной переработки и пунктах сбора можно получить в местных органах власти или у вашего специализированного дилера.



Электроинструмент с классом защиты II. Электроинструмент, в котором защита от электрического удара зависит не только от основной изоляции, но и от того, что принимаются дополнительные защитные меры, такие как двойная изоляция или усиленная изоляция. Нет устройства для подключения защитного провода.



Знак CE



Regulatory Compliance Mark (RCM). Продукт соответствует требованиям действующих предписаний.



Сертификата о соответствии No. RU C-DE.ME77.B.01507 (K545S) No. RU C-DE.ME77.B.01499 (K500S) Срок действия сертификата о соответствии по 13.05.2019 (K545S) 12.05.2019 (K500S)

ООО «Центр по сертификации стандартизации и систем качества электро-машиностроительной продукции» 141400, РФ, Московская область, г. Химки, Ул. Ленинградская, 29



Национальный знак відповідності України

TR 066

ТЕХНИЧЕСКИ ДАННИ		K500 S	K545 S
Производствен номер.....	4421 66 01...	4422 01 01...	
.....	4421 58 01...	4421 96 01...	
.....	4326 06 01...	4324 51 01...	
.....	4077 95 01...	4260 25 01...	
.....	4078 00 01...	4260 15 01...	
.....	..000001-999999	..000001-999999	
Номинална консумирана мощност.....	1300 W.....	1300 W	
Отдавана мощност.....	650 W.....	650 W	
Обороти на празен ход.....	300 min ⁻¹		
Макс. обороти при натоварване.....	300 min ⁻¹		
Макс. брой на ударите при натоварване.....	2840 min ⁻¹	2840 min ⁻¹	
Енергия на отделен удар Пробиване / Дълбаене.....	8,5 J.....	8,5 J	
Диаметър на свредлото за бетон.....	45 mm		
Пробивна машина за работа в тунел - за бетон, обикновени и силикатни тухли.....	65 mm		
Куха боркорона за бетон, обикновени и силикатни тухли.....	100 mm		
Диаметър на отвора на патронника.....	66 mm.....	66 mm	
Тегло без мрежов кабел.....	6,3 kg.....	6,7 kg	

Информация за шума K545 S

Измерените стойности са получени съобразно EN 60 745.

Оцененото с А ниво на шума на уреда е съответно:

Равнище на звуковото налягане (Несигурност K=3dB(A)).....	98,5 dB (A)
Равнище на мощността на звука (Несигурност K=3dB(A)).....	109,5 dB (A)

Да се носи предпазно средство за слуха!

Информация за шума K500 S

Нивото на звуково налягане на уреда в db (A) обикновено съставлява..... 91 dB (A)

Измерена стойност, определена в съответствие с 2005/88/ЕО до ухото на ползвателя.

2005/88/ЕО: методика за оценяване на съответствието по Приложение VI. Посочена служба:

Институт на VDE за изпитвания и сертификация , Мерианщрассе 28, 63069 Офенбах, Германия.

Измерено ниво на звукова мощност.....	101 dB (A)
Гарантирано ниво на звукова мощност.....	104 dB (A)

Да се носи предпазно средство за слуха!

Информация за вибрациите

Общите стойности на вибрациите (векторна сума на три посоки) са определени в съответствие с EN 60745.

Пробиване бетон:

Стойност на емисии на вибрациите a _н	11,5 m/s ²
Несигурност K=.....	1,5 m/s ²

Дълбаене

Стойност на емисии на вибрациите a _н	11,5 m/s ²
Несигурност K=.....	1,9 m/s ²

ВНИМАНИЕ

Посоченото в тези инструкции ниво на вибрациите е измерено в съответствие със стандартизиран в EN 60745 измервателен метод и може да се използва за сравнение на електрически инструменти помежду им. Подходящ е и за временна оценка на вибрационното натоварване.

Посоченото ниво на вибрациите представя основните приложения на електрическия инструмент. Ако обаче електрическият инструмент се използва с друго предназначение, с различни сменяеми инструменти или при недостатъчна техническа поддръжка, нивото на вибрациите може да е различно. Това чувствително може да увеличи вибрационното натоварване по време на целия работен цикъл.

За точната оценка на вибрационното натоварване трябва да се вземат предвид и периодите от време, в които уредът е изключен или работи, но в действителност не се използва. Това чувствително може да намали вибрационното натоварване по време на целия работен цикъл.

Определете допълнителни мерки по техника на безопасност в защита на обслужващия работник от въздействието на вибрациите като например: техническа поддръжка на електрическия инструмент и сменяемите инструменти, поддръжане на ръцете топли, организация на работния цикъл.

⚠ ПРЕДУПРЕЖДЕНИЕ! Прочетете всички указания и напътствия за безопасност.

Пропуски при спазването на указанията и напътствията за безопасност могат да доведат до токов удар, пожар и/или тежки наранявания.

Съхранявайте указанията и напътствията за безопасност за справка при нужда.

⚠ УКАЗАНИЯ ЗА БЕЗОПАСНОСТ ЗА ПЕРФОРАТОР

Носете предпазни тапи за ушите при ударното пробиване. Шумът може да доведе до загуба на слуха.

Използвайте доставените с уреда допълнителни ръкохватки. Загубата на контрол може да доведе до наранявания.

Дръжете електроинструмента за изолираните ръкохватки, когато извършвате работи, при които работният инструмент може да засегне скрити електроинсталационни кабели или собствения си

кабел. Контактът му с тоководещ проводник може да предаде напрежението върху металните му части и да доведе до токов удар.

ДОПЪЛНИТЕЛНИ УКАЗАНИЯ ЗА РАБОТА И БЕЗОПАСНОСТ

Да се използват предпазни средства. При работа с машината винаги носете предпазни очила. Препоръчват се защитно облекло и прахозащитна маска, защитни ръкавици, здрави и нехлъзгащи се обувки, каска и предпазни средства за слуха.

Прахът, който се образува при работа, често е вреден за здравето и не бива да попада в тялото. Да се носи подходяща прахозащитна маска.

Не е разрешена обработката на материали, които представляват опасност за здравето (напр. азбест).

Ако използваният инструмент блокира, изключете веднага уреда! Не включвайте уреда отново, докато използваният инструмент е блокиран; това би могло да доведе до откат с висока реактивна сила.

Открийте и отстранете причината за блокирането на използвания инструмент имайки в предвид инструкциите за безопасност.

Възможните причини за това могат да бъдат:

- Заклинване в обработваната част
- Пробиване на материала
- Пренатоварване на електрическия инструмент

Не бъркайте в машината, докато тя работи.

Използваният инструмент може да загрее по време на употреба.

ВНИМАНИЕ! Опасност от изгаряния

- при смяна на инструмента
- при оставяне на уреда

Стружки или отчупени парчета да не се отстраняват, докато машина работи.

Свързващият кабел винаги да се държи извън работния обхват на машината. Кабелът да се отведе от машината винаги назад.

При работа в стени, тавани или подове внимавайте за кабели, газопроводи и водопроводи.

Закрепете обработваната част с устройство за захващане. Незакрепени части за обработка могат да причинят сериозни наранявания и материални щети.

Преди каквито и да е работи по машината извадете щепсела от контакта.

При големи диаметри на пробивания отвор допълнителната ръкохватка трябва да се закрепят перпендикулярно на основната ръкохватка. Виж също в частта със снимки, точка "Завъртане на ръкохватката".

ИЗПОЛЗВАНЕ ПО ПРЕДНАЗНАЧЕНИЕ

K545 S: Перфораторът може универсално да се използва за перфориране и дълбаене в камък и бетон.

K500 S: Чукът може да се използва за дълбаене в камък и бетон.

Този уред може да се използва по предназначение само както е посочено.

СЕ - ДЕКЛАРАЦИЯ ЗА СЪОТВЕТВИЕ

Заявяваме под собствена отговорност, че описаният в „Технически данни“ продукт съответства на всички важни разпоредби на директивата 2011/65/EU (RoHS), 2004/108/EO (до 19 април 2016), 2014/30/EC, 2014/30/EU (аб 20 април 2016), 2006/42/EO, както и на всички следващи нормативни документи във тази връзка.

EN 60745-1:2009 + A11:2010

EN 60745-2-6:2010

EN 55014-1:2006 + A1:2009 + A2:2011

EN 55014-2:1997 + A1:2001 + A2:2008

EN 61000-3-2:2006 + A1:2009 + A2:2009

EN 61000-3-3:2013

EN 50581:2012

Winnenden, 2015-12-11

Alexander Krug

Alexander Krug
Managing Director



Упълномощен за съставяне на техническата документация

Techtronic Industries GmbH
Max-Eyth-Straße 10
71364 Winnenden
Germany

ЗАЩИТА НА ДВИГАТЕЛЯ В ЗАВИСИМОСТ ОТ НАТОВАРВАНЕТО

Контактите във външните участъци трябва да бъдат оборудвани със защитни прекъсвачи за утечен ток (FI, RCD, PRCD). Това изисква предписанието за инсталиране за електрическата инсталация. Моля спазвайте това при използване на Вашия уред.

Да се свързва само към еднофазен променлив ток и само към мрежово напрежение, посочено върху заводската табелка. Възможно е и свързване към контакт, който не е от тип "шuko", понеже конструкцията е от защитен клас II.

Свързвайте уреда към контакта само в изключено състояние.

Това е уред за професионална употреба, който минимално може да надвиши ориентировъчните стойности за хармонични токови вълни при свързване към обществената електрическа мрежа за ниско напрежение. Затова преди свързване на уреда се консултирайте с компетентното електроразпределително дружество.

ПОДДРЪЖКА

Вентилационните шлицы на машината да се поддържат винаги чисти.

Ако въгленовите четки са износени, те трябва да се сменят и допълнително е необходим преглед в сервис. Това ще удължи експлоатационния срок на машината и гарантира постоянна експлоатационна готовност.

Ако кабелът на захванването е повреден, то занесете го за смяна в сервис, тъй като за това са необходими специални инструменти.

Да се използват само аксесоари на Milwaukee и резервни части на. Елементи, чията подмяна не е описана, да се дадат за подмяна в сервис на Milwaukee (вижте брошурата "Гаранция и адреси на сервиси").

При необходимост можете да поискате за уреда от Вашия сервис или директно от Techtron Industries GmbH, Max-Eyth-Straße 10, 71364 Winnenden, Germany, чертеж за в случай на експлозия, като посочите типа на машината и номер върху заводската табелка.

СИМВОЛИ



ВНИМАНИЕ! ПРЕДУПРЕЖДЕНИЕ! ОПАСНОСТ



Преди каквито и да е работи по машината извадете щепсела от контакта.



Преди пускане на уреда в действие моля прочетете внимателно инструкцията за използване.



Аксесоари - Не се съдържат в обема на доставката, препоръчвано допълнение от програмата за аксесоари.



Електрическите уреди не трябва да се изхвърлят заедно с битовите отпадъци. Електрическото и електронното оборудване трябва да се събират отделно и да се предават на службите за рециклиране на отпадъците според изискванията за опазване на околната среда. Информирайте се при местните служби или при местните специализирани търговци относно местата за събиране и центровете за рециклиране на отпадъци.



Електроинструмент от защитен клас II. Електроинструмент, при който защитата от електрически удар зависи не само от основната изолация, а и от обстоятелството, че се използват допълнителни защитни мерки като двойна изолация или усилена изолация. Няма приспособление за присъединяване на защитен проводник.



СЕ-знак



Regulatory Compliance Mark (RCM). Продуктът отговаря на приложените нормативни изисквания.



EurAsian знак за съответствие.

DATE TEHNICE	K500 S	K545 S
Număr producție	4421 66 01...	4422 01 01...
.....	4421 58 01...	4421 96 01...
.....	4326 06 01.....	4324 51 01.....
.....	4077 95 01.....	4260 25 01.....
.....	4078 00 01.....	4260 15 01.....
.....	..000001-999999	..000001-999999
Putere nominală de ieșire.....	1300 W.....	1300 W
Putere de ieșire	650 W.....	650 W
Viteza la mers în gol.....	300 min ⁻¹
Viteza sub sarcina max.....	300 min ⁻¹
Rata de percuție sub sarcina max.....	2840 min ⁻¹	2840 min ⁻¹
Energia de percuție conform EPTA-Procedure 05/2009.....	8,5 J	8,5 J
Capacitate de perforare în beton.....	45 mm
Vârf tunel din beton, cărămizi și calcar.....	65 mm
Tăiere în beton, cărămizi și calcar.....	100 mm
Diametru gât mandrină.....	66 mm	66 mm
Greutatea conform „EPTA procedure 01/2003”.....	6,3 kg	6,7 kg

Informație privind zgomotul K545 S

Valori măsurate determinate conform EN 60 745.

Nivelul de zgomot evaluat cu A al aparatului este tipic de:

Nivelul presiunii sonore (Nesiguranță K=3dB(A)).....	98,5 dB (A)
Nivelul sunetului (Nesiguranță K=3dB(A)).....	109,5 dB (A)

Purtați căști de protecție

Informație privind zgomotul K500 S

Valoarea reală A a nivelului presiunii sonore a sculei este: 91 dB (A)

Valorile măsurate determinate conform 2005/88/EC la urechea utilizatorului

2005/88/EC: Procedura de evaluare a conformității conform Anexei VI.

Organism înștiințat : Institutul de Certificare și Testare “VDE Testing and Certification Institute”,

Merianstr. 28, 63069 Offenbach, Germany

Nivel de sunet măsurat..... 101 dB (A)

Nivel de sunet garantat 104 dB (A)

Purtați căști de protecție

Informații privind vibrațiile

Valorile totale de oscilație (suma vectorială pe trei direcțidedeterminate conform normei EN 60745.

Găurire în beton:

Valoarea emisie de oscilații a_h11,5 m/s²

Nesiguranță K= 1,5 m/s²

Dălțiuire

Valoarea emisie de oscilații a_h11,5 m/s² 9 m/s²

Nesiguranță K= 1,9 m/s² 1,9 m/s²

AVERTISMENT

Gradul de oscilație indicat în prezentele instrucțiuni a fost măsurat în conformitate cu o procedură de măsurare normată prin norma EN 60745 și poate fi folosit pentru a compara unelte electrice între ele. El se pretează și pentru o evaluare provizorie a solicitării la oscilații.

Gradul de oscilație indicat reprezintă aplicațiile principale ale uneltelor electrice. În cazul în care însă uneltelor electrice au fost folosite pentru alte aplicații, ori au fost folosite unelte de muncă diferite ori acestea nu au fost supuse unei suficiente inspecții de întreținere, gradul de oscilație poate fi diferit.

Acest fapt poate duce la o creștere netă a solicitărilor la oscilații dealungul întregii perioade de lucru.

În scopul unei evaluări exacte a solicitării la oscilații, urmează să fie luate în considerație și perioadele de timp în care aparatul a fost oprit ori funcționează dar, în realitate, el nu este folosit în mod practic. Acest fapt poate duce la o reducere netă a solicitărilor la oscilații dealungul întregii perioade de lucru.

Stabiliți măsuri de siguranță suplimentare în scopul protecției utilizatorului de efectele oscilațiilor, de exemplu: inspecție de întreținere a uneltelor electrice și a celor de muncă, păstrarea caldă a mâinilor, organizarea proceselor de muncă.

⚠️ AVERTIZARE! Citiți toate indicațiile de siguranță și toate instrucțiunile. Nerespectarea indicațiilor de avertizare și a instrucțiunilor poate provoca electrocutare, incendii și/sau răni grave.

Păstrați toate indicațiile de avertizare și instrucțiunile în vederea utilizărilor viitoare.

⚠️ INSTRUCȚIUNI DE SECURITATE PENTRU CIOCAN ROTOPERCUTOR

La găurirea cu percuție purtați echipament de protecție pentru auz. Expunerea la zgomot poate duce la pierderea auzului.

Utilizați manerale auxiliare livrate cu scula. Pierderea controlului poate provoca rănirea persoanelor.

Țineți aparatul de mânerale izolate când executați lucrări la care scula tăietoare poate nimeri peste conductori electrici

ascunși sau peste cablul propriu. Intrarea în contact a sculei tăietoare cu o linie electrică prin care circulă curent poate pune sub tensiune și componente metalice ale aparatului și să ducă la electrocutare.

INSTRUCȚIUNI SUPPLEMENTARE DE SIGURANȚĂ ȘI DE LUCRU

Folosii echipament de protecție . Purtați întotdeauna ochelari de protecție când lucrați cu mașina . Se recomandă utilizarea hainelor de protecție ca de ex. Măști contra prafului, mănuși de protecție, încălțăminte stabilă nealunecoasă, cască și apătoare de urechi.

Praful care apare când se lucrează cu această sculă poate fi dăunător sănătății și prin urmare nu trebuie să atingă corpul. Purtați o mască de protecție corespunzătoare împotriva prafului.

Nu se admite prelucrarea unui material care poate pune în pericol sănătatea operatorului (de exemplu azbestul).

La blocarea sculei demontabile vă rugăm să deconectați imediat aparatul! Nu conectați aparatul atâta timp cât scula demontabilă este blocată; dacă o faceți, s-ar putea să se producă un recul cu un cuplu mare de reacție. Găsiți și remediați cauza de blocare a sculei demontabile respectând indicațiile pentru siguranță.

Cauzele posibile pot fi:

- Agățarea în piesa de prelucrat
- Străpungerea materialului de prelucrat
- Suprasolicitarea sculei electrice

Nu atingeți părțile mașinii aflate în rotație.

Scula introdusă poate să devină fierbinte în timpul utilizării.

AVERTISMENT! Pericol de arsuri

- la schimbarea sculei
- la depunerea aparatului

Rumegușul și spanul nu trebuie îndepărtate în timpul funcționării mașinii.

Pastraiți cablul de alimentare la o distanță de arie de lucru a mașinii. Întotdeauna țineți cablul în spatele dvs.

Când se lucrează pe pereți, tavan sau dușumea, aveți grijă să evitați cablurile electrice și țevile de gaz sau de apă.

Asigurați piesa de prelucrat cu un dispozitiv de fixare. Piese neasigurate pot provoca accidente grave și stricăciuni.

Întotdeauna scoateți stecarul din priză înainte de a efectua intervenții la mașină.

Când se lucrează cu diametre de perforare mari, manerul auxiliar trebuie fixat în unghi drept față de manerul principal (vezi ilustrații, secțiunea "Răsuire mâner")

CONDIȚII DE UTILIZARE SPECIFICATE

K545 S: Ciocanul rotopercurtor poate fi utilizat pentru perforări, dălțării în rocă și găuriri în lemn, metal și plastic.

K500 S: Ciocanul poate fi folosit pentru d/tuit în piatr/ _i beton.

Nu utilizați acest produs în alt mod decât cel stabilit pentru utilizare normală

DECLARAȚIE DE CONFORMITATE

Declaram pe propria răspundere că produsul descris la „Date tehnice” este în concordanță cu toate prevederile legale relevante ale Directivei 2011/65/EU (RoHS), 2004/108/CE (până la April 19, 2016), 2014/30/UE (de la 20 April 2016), 2006/42/CE și cu următoarele norme armonizate:

EN 60745-1:2009 + A11:2010

EN 60745-2-6:2010

EN 55014-1:2006 + A1:2009 + A2:2011

EN 55014-2:1997 + A1:2001 + A2:2008

EN 61000-3-2:2006 + A1:2009 + A2:2009

EN 61000-3-3:2013

EN 50581:2012

Winnenden, 2015-12-11

Alexander Krug
Managing Director



Împuternicit să elaboreze documentația tehnică.

Techtronic Industries GmbH

Max-Eyth-Straße 10

71364 Winnenden

Germany

ALIMENTARE DE LA REȚEA

Aparatele utilizate în multe locații diferite inclusiv în aer liber trebuie conectate printr-un disjunctor (FI, RCD, PRCD) care previne comutarea.

Conectați numai la priză de curent alternativ monofazat și numai la tensiunea specificată pe placuța indicatoare. Se permite conectarea și la prize fără împământare dacă modelul se conectează la clasele de securitate.

Asigurați-vă că aparatul este oprit, înainte de conectare .

Acesta este un aparat pentru profesioniști care, dacă este conectat la rețeaua publică de joasă tensiune, poate depăși cu puțin valorile de referință pentru armonicele de curent. Contactați de aceea, înainte de a conecta aparatul la rețeaua publică de joasă tensiune, eventual întreprinderea care vă alimentează cu energie.

INTREȚINERE

Fantele de aerisire ale mașinii trebuie să fie menținute libere tot timpul

Nota importantă: dacă perile de carbon sunt uzate, în plus față de schimbarea perilor scula trebuie trimisă la service-ul poșt vnzare. Aceasta va asigura o viață lungă de lucru și performanțe de vârf.

Dacă cablul de racordare la rețea este avariata, acesta trebuie înlocuit la un punct de service, deoarece pentru aceasta este nevoie de scule speciale.

Utilizați numai accesorii și piese de schimb Milwaukee. Dacă unele din componentele care nu au fost descrise trebuie înlocuite , vă rugăm contactați unul din agenții de service Milwaukee (vezi lista noastră pentru service / garanție)

Dacă este necesară, se poate comanda o imagine descompusă a sculei. Vă rugăm menționați numărul art. Precum și tipul valorii tipărit pe etichetă și comandați desenul la agenții de service locali sau direct la Techtronic Industries GmbH, Max-Eyth-Straße 10, 71364 Winnenden, Germany.

SIMBOLURI



PERICOL! AVERTIZARE! ATENȚIE!



Întotdeauna scoateți stecarul din priză înainte de a efectua intervenții la mașină.



Vă rugăm citiți cu atenție instrucțiunile înainte de pornirea mașinii



Accesorii - Nu este inclus în echipamentul standard , disponibil ca accesoriu



Aruncarea aparatelor electrice la gunoierii menajeri este interzisă. Echipamentele electrice și electronice trebuie colectate separat și predate la un centru de reciclare și eliminare a deșeurilor, pentru a fi eliminate ecologic. Interesați-vă la autoritățile locale sau la comerciantul dvs. de specialitate unde se află centre de reciclare și puncte de colectare.



Sculă electrică cu clasa de protecție II. Sculă electrică la care protecția împotriva unei electrocutări nu depinde doar de izolația de bază, ci și de aplicarea de măsuri suplimentare de protecție, cum ar fi o izolație dublă sau o izolație mai puternică. Nu există un dispozitiv pentru conectarea unui conductor de protecție.

Marcaj CE



Regulatory Compliance Mark (RCM). Produsul îndeplinește normele în vigoare.



Marcaj de conformitate EurAsian.



ТЕХНИЧКИ ПОДАТОЦИ	K500 S	K545 S
Произведен број.....	4421 66 01... ..	4422 01 01... ..
.....	4421 58 01... ..	4421 96 01... ..
.....	4326 06 01... ..	4324 51 01... ..
.....	4077 95 01... ..	4260 25 01... ..
.....	4078 00 01... ..	4260 15 01... ..
.....	...00001-99999900001-999999 ..
Определен внос	1300 W.....	1300 W.....
Излез.....	650 W.....	650 W.....
Брзина без оптоварување	300 min ⁻¹	300 min ⁻¹
Брзина при максимално оптоварување	300 min ⁻¹	300 min ⁻¹
Јачина на удар максимално под оптоварување.....	2840 min ⁻¹	2840 min ⁻¹
Единствена ударна сила според ЕПТА-процедурата 01/2003	8,5 J.....	8,5 J.....
Капацитет на дупчење во бетон	45 mm.....	45 mm.....
Тунелски бит во бетон, тули и варовни карпи	65 mm.....	65 mm.....
Јазолан сечач во бетон, тули и варовни карпи.....	100 mm.....	100 mm.....
Дијаметар на вратот на врв.....	66 mm.....	66 mm.....
Тежина според ЕПТА-процедурата 01/2003	6,3 kg.....	6,7 kg.....

Информации за бучавата KN 5 E

Измерените вредности се одредени согласно стандардот EN 60745.

A-оценетото ниво на бучава на апаратот типично изнесува:

Ниво на звучен притисок. (Несигурност K=3dB(A)).....	98,5 dB (A)
Ниво на јачина на звук. (Несигурност K=3dB(A)).....	109,5 dB (A)

Носте штитник за уши.

Информации за бучавата K500 S

A-оценетото ниво на бучава на апаратот типично изнесува ... 91 dB (A)

Мерените вредности се одредени согласно стандардот 2005/88/EG за ушите на корисникот.

2005/88/EC: Процедурата за потврдување на сообразноста се повикува на : Annex VI. Notified Body: VDE Testing and Certification Institute, Merianstr. 28, 63069 Offenbach, Germany

Измерено ниво на јачина на звук 101 dB (A)

Гарантирано ниво на јачина на звук 104 dB (A)

Носте штитник за уши.

Информации за вибрации

Вкупни вибрациски вредности (векторски збир на трите насоки) пресметани согласно EN 60745.

Бушење во бетон со ударна дупчалка:

Вибрациска емисиона вредност a_w 11,5 m/s²

Несигурност K 1,5 m/s²

Длетување

Вибрациска емисиона вредност a_w 11,5 m/s² 9 m/s²

Несигурност K 1,9 m/s² 1,9 m/s²

ПРЕДУПРЕДУВАЊЕ

Нивото на осцилација наведено во овие инструкции е измерено во согласност со мерните постапки нормирани во EN 60745 и може да биде употребено за меѓусебна споредба на електро-алати. Ова ниво може да се употреби и за привремена проценка на оптоварувањето на осцилацијата.

Наведеното ниво на осцилација ги репрезентира главните намени на електро-алатот. Но, доколку електро-алатот се употребува за други намени, со отстапувачки додатоци или со несоодветно одржување, нивото на осцилација може да отстапи. Тоа може значително да го зголеми оптоварувањето на осцилацијата за време на целиот работен период.

За прецизна проценка на оптоварувањето на осцилацијата предвид треба да бидат земени и времињата, во коишто апаратот е исклучен или работи, но фактички не се употребува. Тоа може значително да го намали оптоварувањето на осцилацијата за време на целиот работен период

Утврдете дополнителни безбедносни мерки за заштита на операторот од влијанието на осцилациите, како на пример: одржување на електро-алатот и на додатоци кон електро-алатот, одржување топли раце, организација на работните процеси.

▲ ВНИМАНИЕ! Прочитајте ги безбедносните напомени и упатства.

Заборавање на почитувањето на безбедносните упатства и инструкции можат да предизвикаат електричен удар, пожар и/или тешки повреди.

Сочувајте ги сите безбедносни упатства и инструкции за во иднина.

▲ СИГУРНОСНИ НАПОМЕНИ ЗА БОРМАШИНА-ЧЕКАН

При работата со перкуссионата бормашина носете заштита за ушите. Влијанието на бука може да предизвика губење на сетилото за слух.

Користете помошни рачки кои доаѓаат заедно со алатот. Губењето контрола може да предизвика повреда.

Држете го електричниот алат за издадените површини при изведување на операции при кои алатот за сечење можат да дојдат во контакт со скриени жици или сопствениот гајтан. Контакт со жица под напон исто така ќе направи проводници од металните делови и оној кој ракува со алатот ќе доживее струен удар.

К500 S	K545 S
4421 66 01... ..	4422 01 01... ..
4421 58 01... ..	4421 96 01... ..
4326 06 01... ..	4324 51 01... ..
4077 95 01... ..	4260 25 01... ..
4078 00 01... ..	4260 15 01... ..
...00001-99999900001-999999 ..
1300 W.....	1300 W.....
650 W.....	650 W.....
300 min ⁻¹	300 min ⁻¹
300 min ⁻¹	300 min ⁻¹
2840 min ⁻¹	2840 min ⁻¹
8,5 J.....	8,5 J.....
45 mm.....	45 mm.....
65 mm.....	65 mm.....
100 mm.....	100 mm.....
66 mm.....	66 mm.....
6,3 kg.....	6,7 kg.....

Можни причини би можеле да се:

- Закантување во парчето кое што се обработува
- Кршење поради продирање на материјалот кој што се обработува
- Преоптоварување на електричното орудие

Не фаќајте во машината кога работи.

Употребеното орудие за време на примената може да стане многу жешко.

ПРЕДУПРЕДУВАЊЕ! Опасност од изгоретини

- при менување на орудието
- при ставање на апаратот на страна

Прашината и струготините не смеат да се одстрануваат додека е машината работи.

Чувајте го кабелот за напојување подалеку од работната површина. Секогаш водете го кабелот позади вас.

Кога работите на сидови, таван или под внимавајте да ги избегнете електричните, гасните и водоводни инсталации.

Обезбедете го предметот кој што го обработувате со направа за напон. Необезбедени парчиња кои што се обработуваат можат да предизвикаат тешки повреди и оштетувања.

Секогаш кога преземате активности врз машината исклучете го кабелот од струјата.

Кога работите со големи дијаметри на бушотина, помошната рачка мора да биде врзана под вистински агол со главната рачка (видете илустрации, деп., Вртење на рачката...).

СПЕЦИФИЦИРАНИ УСЛОВИ НА УПОТРЕБА

K545 S: Пневматскиот чекан може да биде употребуван универзално за дупчење, клесање во камен и бетон.

K500 S: Чеканот може да се користи за клесање и демолирање.

Не го користете овој производ на било кој друг начин освен пропишаниот за нормална употреба.

ЕУ-ДЕКЛАРАЦИЈА ЗА СООБРАЗНОСТ

Во своја сопствена одговорност изјавуваме дека под „Технички податоци“ опишаниот производ е во склад со сите релевантни прописи од регулативата 2011/65/EU (RoHS), 2004/108/EC (до 19 април 2016), 2014/30/EU (аб 20 април 2016), 2006/42/EC и следните хармонизирачки нормативни документи:

EN 60745-1:2009 + A11:2010

EN 60745-2-6:2010

EN 55014-1:2006 + A1:2009 + A2:2011

EN 55014-2:1997 + A1:2001 + A2:2008

EN 61000-3-2:2006 + A1:2009 + A2:2009

EN 61000-3-3:2013

EN 50581:2012

Winnenden, 2015-12-11

Alexander Krug
Managing Director



Ополномоштен за составување на техничката документација.

Techtronic Industries GmbH

Max-Eyth-Straße 10

71364 Winnenden

Germany

ГЛАВНИ ВРСКИ

Уредите кои се користат на многу различни локации вклучувајќи и отворен простор мора да бидат поврзани за струја преку направата за поврзување (FI, RCD, PRCD).

Да се спои само за една фаза AC коло и само на главниот напон наведен на плочката. Можно е исто така и поврзување на приклучок без заземјување доколку изведбата соодветствува на безбедност од 2 класа.

Бидете сигурни дека машината е исклучена пред да ја вклучите во струја.

Овој апарат претставува апарат за професионална употреба, кој може значително да ги пречекори ориентационите вредности за струјни горни граници при приклучување на јавната мрежа за низок напон. Затоа пред приклучување на апаратот на јавна мрежа за низок напон по потреба контактирајте со компанијата што е одговорна за вашето напојување со електрична енергија.

ОДРЖУВАЊЕ

Вентилациските отвори на машината мора да бидат комплетно отворени постојано.

Важна забелешка! Доколку карбонските четкички се истрошени, со цел истите да бидат заменети алатот треба да биде пратен во постпродажниот центар. Ова ќе обезбеди долг употребен век и највисоки перформанси.

Ако приклучниот мрежен вод е оштетен, тој мора да биде заменет од служба за клиенти, бидејќи за тоа е потребен посебен алат.

Користете само Milwaukee додатоци и резервни делови. Доколку некои од компонентите кои не се опишани треба да бидат заменети, Ве молиме контактирајте ги сервисните агенти на Milwaukee (консултирајте ја листата на адреси).

Доколку е потребно можно е да биде набавен детален приказ на алатот. Ве молиме наведете го бројот на артикот како и типот на машина кој е отпечатан на етикетата и порачајте ја скицата кај локалниот застапник или директно кај: Techtronic Industries GmbH, Max-Eyth-Straße 10, 71364 Winnenden, Germany.

СИМБОЛИ



ВНИМАНИЕ! ПРЕДУПРЕДУВАЊЕ! ОПАСНОСТ!



Секогаш кога преземате активности врз машината исклучете го кабелот од струјата.



Ве молиме пред да ја стартувате машината обрнете внимание на упатствата за употреба.



Дополнителна опрема - Не е вклучена во стандардната, а достапна е како додаток.



Електричните апарати не смеат да се фрлат заедно со домашниот отпад. Електричните и електронските апарати треба да се собираат одделно и да се однесат во соодветниот погон заради нивно фрлање во склад со начелата за заштита на околината. Информирајте се кај Вашите местни служби или кај специјализираниот трговски претставник, каде има такви погони за рециклажа и собирни станици.



Електрично орудие од заштитната категорија II. Електрично орудие чиишто заштита од електричен удар не зависи само од основната изолација туку и од тоа дали ќе се применат дополнителните заштитни мерки како што се двоstrukите изолации или појачаната изолација. Не постои никаква направа за приклучување на некој заштитен вод.



CE-знак



Regulatory Compliance Mark (RCM). Производот ги исполнува важечките прописи.



EurAsian (Евроазиски) знак на конформитет.

ТЕХНІЧНІ ХАРАКТЕРИСТИКИ

ПЕРФОРАТОР

K500 S

K545 S

Номер виробу	4421 66 01	4422 01 01
	4421 58 01	4421 96 01
	4326 06 01	4324 51 01
	4077 95 01	4260 25 01
	4078 00 01	4260 15 01
	000001-999999	000001-999999
Номінальна споживана потужність	1300 W	1300 W
Відавана потужність	650 W	650 W
Кількість обертів холостого ходу	300 min ⁻¹	300 min ⁻¹
Кількість обертів під навантаженням макс.	2840 min ⁻¹	2840 min ⁻¹
Кількість ударів під навантаженням макс.	8,5 J	8,5 J
Сила окремого удару згідно з процедурою EPTA 05/2009	65 mm	65 mm
Ø свердлильня бетону	45 mm	45 mm
Тунельне свердло для бетону, цегли та силікатної цегли	100 mm	100 mm
Кільцева свердлильна коронка для бетону, цегли та силікатної цегли	66 mm	66 mm
Шийка затиску, Ø	6,3 kg	6,3 kg
Вага згідно з процедурою EPTA 01/2003		

Інформація про шум K545 S

Вимірні значення визначені згідно з EN 60745.

Рівень шуму "A" приладу становить в типовому випадку:

Рівень звукового тиску (похибка K = 3 дБ(A)) 98,5 dB (A)

Рівень звукової потужності (похибка K = 3 дБ(A)) 109,5 dB (A)

Використовувати засоби захисту органів слуху!

Інформація про шум K500 S

Рівень шуму "A" приладу становить в типовому

випадку: 91 dB (A)

2005/88/EG: Процес оцінки відповідності згідно з додатком VI.

Уповноважений орган: Інститут випробування та сертифікації

VDE Prüf- та Zertifizierungsinstitut, Merianstr. 28,

63069 Offenbach,

Німеччина

Вимірюваний рівень звукової потужності 101 dB (A)

Гарантований рівень звукової потужності 104 dB (A)

Використовувати засоби захисту органів слуху!

Інформація щодо вібрації

Сумарні значення вібрації (векторна сума трьох напрямків),

встановлені згідно з EN 60745.

Ударне свердління в бетоні:

Значення вібрації a_w 11,5 m/s²

похибка K = 1,5 m/s²

Довбання:

Значення вібрації a_w 11,5 m/s²

похибка K = 1,9 m/s²

ПОПЕРЕДЖЕННЯ

Рівень вібрації, вказаний в цій інструкції, вимірювався згідно з методом вимірювання, нормованим стандартом EN 60745, і може використовуватися для порівняння електроінструментів. Він призначений також для попередньої оцінки навантаження від вібрації.

Вказаний рівень вібрації відповідає основним сферам використання електроінструменту. Але якщо електроінструмент використовується для іншої мети, з іншими вставними інструментами або при недостатньому технічному обслуговуванні, рівень вібрації може бути іншим. Це може значно підвищити навантаження від вібрації за весь період роботи.

Для точної оцінки навантаження від вібрації необхідно також врахувати час, коли прилад вимкнений або увімкнений, але фактично не використовується. Це може значно зменшити навантаження від вібрації за весь період роботи.

Визначте додаткові заходи безпеки для захисту оператора від дії вібрації, наприклад: Технічне обслуговування електроінструменту та вставних інструментів, зігрівання рук, організація робочих процесів.

⚠ ПОПЕРЕДЖЕННЯ! Прочитайте всі вказівки з техніки безпеки та інструкції. Упущення при дотриманні вказівок з техніки безпеки та інструкцій можуть призвести до ураження електричним струмом, пожежі та/або тяжких травм.

Зберігайте всі вказівки з техніки безпеки та інструкції на майбутнє.

⚠ ВКАЗІВКИ З ТЕХНІКИ БЕЗПЕКИ ДЛЯ ПЕРФОРАТОРА

Користуйтеся засобами захисту органів слуху. Вплив шуму може спричинити втрату слуху.

Користуйтеся додатковими рукоятками, що поставляються разом з пристроєм, якщо вони входять в комплект поставки. Втрата контролю може призвести до пошкодження.

Під час виконання робіт тримайте прилад за ізолювані поверхні рукояток, якщо вставний інструмент може натрапити на приховані електричні лінії або власний мережевий кабель.

причину блокування вставного інструменту з урахуванням вказівок з техніки безпеки.

Можливі причини:

- Перекіс в заготовці, що обробляється
- Пробивання оброблюваного матеріалу
- Перевантаження електроінструмента

Частина тіла не повинні потрапляти в машину, коли вона працює.

Вставний інструмент може нагріватися під час роботи.

ПОПЕРЕДЖЕННЯ! Безпека опіків

- при заміні інструменту
- при відкладанні приладу

Не можна видаляти стружку або уламки, коли машина працює.

З'єднувальний кабель завжди тримати за межями радіуса дії машини. Вести кабель завжди позаду машини.

Під час роботи на стінах, стелях або підлозі звертати увагу на електричні кабелі, газові та водопровідні лінії.

Зафіксувати заготовку в затисковому пристрої. Незакріплені заготовки можуть привести до тяжких травм та пошкодженнь.

Перед будь-якими роботами на машині витягнути штекер із штепсельної розетки.

Для великого діаметру свердла необхідно закріпити додаткову рукоятку під прямим кутом до головної рукоятки (див. також в частині з зображеннями, розділ "Повернути рукоятку").

ВИКОРИСТАННЯ ЗА ПРИЗНАЧЕННЯМ

K545 S: Перфоратор можна використовувати універсально для ударного свердління та добання каменю і бетону, а також для свердління деревини, металів та полімерних матеріалів.

K500 S: Відбійний молоток можна використовувати для добання каменю та бетону

Цей прилад можна використовувати тільки за призначенням так, як вказано в цьому документі.

СЕРТИФІКАТ ВІДПОВІДНОСТІ ВИМОГАМ ЄС

Ми заявляємо на власну відповідальність, що виріб, описаний в „Технічних даних“, відповідає всім застосованим положенням директиви 2011/65/EU (RoHS), 2004/108/EC (до 19 квітня 2016), 2014/30/EU (від 20 квітня 2016), 2006/42/EG, та наступним гармонізованим нормативним документам:

EN 60745-1:2009 + A11:2010

EN 60745-2-6:2010

EN 55014-1-2:2006 + A1:2009 + A2:2011

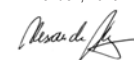
EN 55014-2:1997 + A1:2001 + A2:2008

EN 61000-3-2:2006 + A1:2009 + A2:2009

EN 61000-3-3:2013

EN 50581:2012

Winnenden, 2015-12-11



Alexander Krug
Managing Director



Уповноважений із складання технічної документації.

Techtronic Industries GmbH
Max-Eyth-Straße 10
71364 Winnenden
Germany

ПІДКЛЮЧЕННЯ ДО МЕРЕЖІ

Штепсельні розетки за межями приміщень та на вологих ділянках повинні бути оснащені автоматичним запобіжним вимикачем, який спрацьовує при появі струму витоку (FI, RCD, PRCD). Для цього необхідні монтажні інструкції для вашої електричної системи. Майте це на увазі при користуванні нашим приладом.

Підключати лише до однофазного змінного струму і напруги мережі, які вказані на фірмовій таблиці з паспортними даними. Можливе підключення також до штепсельних розеток без захисного контакту, адже конструкція має клас захисту II.

Підключати пристрій до штепсельної розетки лише вимкнути.

Це прилад для професійного використання, він може трохи перевищувати нормативні показники для вищих гармонік струму при підключенні до низьковольтної мережі загального користування. Тому перед підключенням приладу до низьковольтної мережі загального користування зв'яжіться, у разі необхідності, з вашою організацією енергопостачання.

ОБСЛУГОВУВАННЯ

Завжди підтримувати чистоту вентиляційних отворів.

При зношенні вугільних щіток додатково до заміни щіток необхідно виконати сервісне обслуговування в сервісному центрі. Це підвищує термін експлуатації машини та гарантує постійну готовність до експлуатації.

Якщо мережевий кабель живлення пошкоджений, то його повинна замінити сервісна служба, щоб уникнути небезпеки.

Використовувати комплектуючі та запчастини тільки від Milwaukee. Деталі, заміна яких не описується, замінювати тільки в відділі обслуговування клієнтів Milwaukee (зверніть увагу на брошуру "Гарантія / адреси сервісних центрів").

У разі необхідності можна запросити креслення з зображенням вузлів машини в перспективному вигляді, для цього потрібно звернутися в ваш відділ обслуговування клієнтів або безпосередньо в Techtronic Industries GmbH, Max-Eyth-Straße 10, 71364 Winnenden, Німеччина, та вказати тип машини та шестизначний номер на фірмовій таблиці з даними машини.

СИМВОЛИ



УВАГА! ПОПЕРЕДЖЕННЯ! НЕБЕЗПЕЧНО!



Перед будь-якими роботами на машині витягнути штекер із штепсельної розетки.



Уважно прочитайте інструкцію з експлуатації перед введенням приладу в дію.



Комплектуючі - не входять в обсяг постачання, рекомендовані доповнення з програми комплектуючих.



Електричні прилади не можна утилізувати з побутовими відходами.

Електричні та електронні прилади необхідно збирати окремо та здавати в спеціалізовані підприємства для утилізації, що не шкодить навколишньому середовищу. Зверніться до місцевих органів або до вашого дилера, щоб отримати адреси пунктів вторинної переробки та пунктів прийому.



Електроінструмент класу захисту II. Електроінструмент, в якому захист від враження електричним струмом залежить не лише від базової ізоляції, але й від використовуваних додаткових засобів захисту, таких як подвійна ізоляція або посилена ізоляція. Немає пристроїв для підключення захисного з'єднання.



Знак CE



Знак відповідності встановленим нормам (RCM). Продукт відповідає діючим нормам.



Національний знак відповідності для України



Знак відповідності для Європи та Азії EurAsian

الصيانة
يجب أن تكون فتحات تهوية الجهاز نظيفة طوال الوقت.
ملاحظة هامة! إذا تأكلت الفرش الكربونية، يجب بالإضافة إلى استبدال الفرش أن ترسل الأداة إلى خدمة ما بعد البيع. سوف يضمن هذا عمراً أطول للأداة ويمتدح أفضل مستوى من الأداء.
في حالة تلف كبل الطاقة في هذا الجهاز، يجب استبداله فقط بواسطة ورشة تصليح يحددها المصنّع لتجنب المخاطر التي تنجم بالمخاطرة.
استخدم فقط ملحقات ميلوكي وكذلك قطع غيار ميلوكي. إذا كانت المكونات التي يجب تغييرها غير مذكورة، يرجى الاتصال بأحد عملاء صيانة ميلوكي (انظر قائمة عناوين الضمان/الصيانة الخاصة بنا).
عند الحاجة يمكن طلب رمز انفجار الجهاز بعد ذكر طراز الآلة والرقم السداسي المذكور على بطاقة طاقة الآلة لدى جهة خدمة العملاء أو مباشرة لدى شركة Techtronic Industries GmbH, Max-Eyth-Straße 10, 71364 Winnenden، ألمانيا

زومرلا



تنبيه! تحذير! خطر!



افصل دائما القابس عن المقبس قبل تنفيذ أي عمل بالجهاز.



يرجى قراءة التعليمات بعناية قبل بدء تشغيل الجهاز.



الملحق - ليس مدرجا كمعدة قياسية، متوفر كملحق.



يحظر التخلص من الأجهزة الكهربائية في القمامة المنزلية. يجب جمع الأجهزة الكهربائية والإلكترونية منفصلة وتسليمها للتخلص منها بشكل لا يضر بالبيئة لدى شركة إعادة استغلال. الرجاء الاستفسار لدى الهيئات المحلية أو لدى التجار المتخصصين عن مواقع إعادة الاستغلال ومواقع الجمع.



أداة كهربائية ذات درجة حماية 2
أداة كهربائية لا تتوفر الحماية فيها من الصعق الكهربائي ليس فقط على العزل الأساسي، بل أيضاً على إجراءات الحماية الإضافية، مثل العزل المزدوج أو العزل المقوى.
ليس هناك تجهيزه لتوصيل تارض وض واي



علامة المطابقة الأوروبية

علامة الامتثال للوائح (RCM). المنتج مطابق لمطالبات الالاحة.



علامة المطابقة الأوروبية الاسيوية

من المحتمل أن تكون الأسباب هي:

- أنحدار في القطعة المخصصة للاستعمال
- اختراق المواد المخصصة للاستعمال
- زيادة الحمل على الآلة الكهربائية

لا تلمس بيدك الماكينة أثناء دوراتها.

الأداة المستخدمة قد تسخن خلال الاستخدام.

تحذير! هناك خطر الإصابة بحروق

- عند استبدال الآداة
- عند وضع الجهاز

لا يجب إزالة الشفارة والشفطايا أثناء تشغيل الآلة.

ابق السلك الرئيسي بعيدا عن نطاق عمل الجهاز. ابق دائما السلك بعيدا عنك أو خلفك.

عند العمل في سقف الحوائط أو الأرضية، توخ الحذر وتجنب الكابلات الكهربائية وأتابيب الغاز أو المياه.

قم بترئيم القطعة المستخدمة من المواد في تجهيزة تثبيت القطع المستخدمة من المواد الغير مرمنة يمكن أن تسبب في إصابات وأضرار حادة.

افصل دائما القابس عن المقبس قبل تنفيذ أي عمل بالجهاز.

عند العمل بمثاقب أقطارها كبيرة، يجب تثبيت المقبض الإضافي في الزاوية اليمنى مع المقبض الرئيسي (انظر الأشكال التوضيحية، قسم "ألف المقبض").

شروط الاستخدام المحددة
يمكن استخدام الدناق الهوائي عموماً في عمليات الحفر بالدق والنحت في الأحجار والخرسانات. K545 S:

يمكن استخدام المثقاب الدقاق في نحت الأحجار والخرسانات. K500 S:

لا تستخدم هذا المنتج بأي طريقة أخرى غير مصرح بها للاستخدام العادي.

إعلان المطابقة - الاتحاد الأوروبي

نُقر بمسؤوليتنا الكاملة عن مطابقة المنتج الموصوف تحت بند البيانات الفنية للشروط ذات الصلة بتوجيهات معايير الاتحاد الأوروبي EU/2011/65 (اختبار القود على استخدام المواد الخطيرة (RoHS) و EC/2004/108 (مكرر 19 أبريل)، EU/2014/30 (أب 20 أبريل) و EC/2006/42، وتم استخدام المعايير المتوافقة التالية:

EN 60745-1:2009 + A11:2010
EN 60745-2-6:2010
EN 55014-1:2006 + A1:2009 + A2:2011
EN 55014-2:1997 + A1:2001 + A2:2008
EN 61000-3-2:2006 + A1:2009 + A2:2009
EN 61000-3-3:2013
EN 50581:2012

Winnenden, 2015-12-11


Alexander Krug
Managing Director
معمتدة للمطابقة مع الملف الفني
Techtronic Industries GmbH
Max-Eyth-Straße 10
Winnenden 71364
Germany

توصيل الموصلات الرئيسية

يجب تزويد القوابس في الغرف الرطبة وفي الأماكن الخارجية بأزرار حماية ضد تيار العطل (FI, RCD, PRCD). هذا يتطلب تعليمات التركيب الخاصة بجهازك. الرجاء مراعاة ذلك عند استخدام جهازنا.

قم بالتوصيل بتيار متردد أحادي الطور ونظام الجهد الكهربائي المحدد على لوحة الجهد المقتن فقط. يمكن أيضا التوصيل بالمقابس غير المورضة حيث يتطابق التصميم مع معايير سلامة الفئة الثانية لحماية الأجهزة الكهربائية.

تأكد من إيقاف تشغيل الآلة قبل توصيلها بالمقابس الكهربائي.

يعد هذا جهازاً للاستخدام الاحترافي الذي قد يتجاوز إلى حد ما القيم الإرشادية عند توصيله بمصدر إمداد الموصلات الكهربائية العامة منخفضة الجهد. لذلك يجب عليك الاتصال بشركة الإمداد بالطاقة قبل توصيل الجهاز بمصدر إمداد الموصلات الكهربائية العامة منخفضة الجهد.

K545 S	K500 S
...01 01 442201 66 4421
...01 96 442101 58 4421
...01 51 432401 06 4326
...01 25 426001 95 4077
...01 15 426001 00 4078
000001-999999...	000001-999999...
W 1300	W 1300
W 650	W 650
min* 300	min* 300
min* 2840	min* 2840
J 8,5	J 8,5
mm 45	mm 45
mm 65	mm 65
mm 100	mm 100
mm 66	mm 66
kg 6,7	kg 6,3

معلومات الضوضاء#K545S
القيم التي تم قياسها محددة وفقاً للمعايير الأوروبية EN 60 745
مستويات ضوضاء الجهاز، ترجيحاً بشكل نمذجي كالتالي:
مستوى ضغط الصوت (الارتباب في القياس = 3 ديسيبيل (أ))
مستوى شدة الصوت (الارتياب في القياس = 3 ديسيبيل (أ))
ارتد وأقيات الأذن!

معلومات الضوضاء#K500S
مستويات ضوضاء الجهاز، ترجيحاً بشكل نمذجي كالتالي:
EG/2005/88: نهج تقييم المطابقة وفقاً للملحق السادس. الجهات المعتمدة دولياً: معهد VDE
Merianstr. 28, 63069 Offenbach, Germany
dB (A) 98,5
dB (A) 109,5

مستوى شدة الصوت الذي تم قياسه.....	dB (A) 91
مستوى شدة الصوت خلال فترة الضمان.....	dB (A) 101
ارتد وأقيات الأذن!	dB (A) 104

معلومات الاهتزاز	
قيم الذبذبات الإجمالي (مجموع الكميات الموجبة في المحاور الثلاثة) محددة وفقاً للمعايير الأوروبية EN 60745.	
الحفر بالمطرقة في الخرسانة:	
قيمة انبعاث الذبذبات (a _w)	
الارتياب في القياس	
النحت:	
قيمة انبعاث الذبذبات (a _w)	
الارتياب في القياس	
m/s² 11,5	m/s² 11,5
m/s² 1,5	m/s² 1,9
m/s² 9	m/s² 9
m/s² 1,5	m/s² 1,9

تحذير!

تم قياس مستوى انبعاث الذبذبات الموجود بوثيقة المعلومات هذه وفقاً للمعايير الأوروبية EN 60745 ويمكن استخدامه لمقارنة جهاز بغيره. كما يمكن استخدامه لعرض تقييم تمهيدي.

يمثل مستوى انبعاث الذبذبات المعان عنه تطبيقات الجهاز الرئيسية بالرغم من ذلك، فإنه إذا ما تم استخدام الجهاز لتطبيقات مختلفة، وملحقات مختلفة أو لم يتم المحافظة عليه، فقد يختلف انبعاث الذبذبات. قد يزيد ذلك بصورة كبيرة من مستوى التعرض للذبذبات طوال فترة العمل الإجمالية.

يجب الوضع في الاعتبار عند تقدير مستوى التعرض للذبذبات مرات إيقاف الجهاز أو تشغيله لکن دون استخدامه في القيام بمهمة. فقد يقلل ذلك بصورة كبيرة من مستوى التعرض للذبذبات طوال فترة العمل الإجمالية.

تعرف على معايير السلامة الإضافية لحماية المشغل من آثار الذبذبات مثل: صيانة الجهاز والملحقات، الحفاظ على دفة الأيدي، وتنظيم نمالاج العمل.

تحذير!

اقرأ جميع تحذيرات السلامة وجميع التعليمات، بما فيها.
قد يؤدي الشغل في مراعاة التحذيرات والتعليمات إلى التعرض للإصابة بصدمة كهربائية أو الحروق و/أو إصابة خطيرة.

احفظ جميع التنبيهات والتعليمات للرجوع إليها مستقبلاً.

تعليمات سلامة المثاقب

د وأقيات الأذن عند استخدام المثاقب.

ارت قد يسبب التعرض للضوضاء إلى فقدان السمع.

استخدم المقابض الإضافية، إذا كانت مرفقة مع الأداة. قد يسبب فقدان السيطرة حدوث إصابة شخصية.

امسك الآلة الكهربائية من أسطح القبض المعزولة فقط، وذلك عند القيام بعملية قد يلمس فيها أحد ملحقات آلة القطع أسلاك مخفية أو السلك الخاص بها.

Copyright 2015

Techtronic Industries GmbH
Max-Eyth-Straße 10 71364 Winnenden
Germany

+49 (0) 7195-12-0



(12.15)

4931 4146 13